

Series BCC

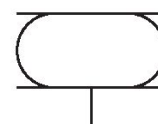
R412020598

AVENTICS
Series BCC
Bellow
actuators

2024-03-15

AVENTICS Series BCC Bellow actuators

The AVENTICS Series BCC cylinders are bellow cylinders with removable mounting parts. Users have the option of replacing the rubber bellows themselves. Mounting via internal thread or threaded bolt.



Technical data

Industry	Industrial
Bellows	triple
Type	Bellow actuator with mounting ring and cover
Functional principle	Single-acting, retracted without pressure
Compressed air connection	G 1/4
Cover diameter	78 mm
Feature	2 3/4x3
Max. permissible angle of tilt	30 °
Max. effective stroke	50 mm
Min. radial installation space	95 mm
Min. installation height	80 mm
Max. installation height	130 mm
Min. force	900 N
Max. force	2050 N
Min. working pressure	0 bar
Max. working pressure	8 bar
Min. ambient temperature	-30 °C
Max. ambient temperature	90 °C
Medium	Compressed air

Series BCC

R412020598

AVENTICS
Series BCC
Bellow
actuators

2024-03-15

Reduced service life at a temperature greater than 70 °C

Pressure for determining forces 6 bar

Weight 0.55 kg

Material

Material bellow Chloroprene rubber

Material front cover Aluminum

Part No. R412020598

Technical information

Compliance with the minimum height H min. as well as the maximum height H max. must be ensured with end stops.

Use at operating height $\geq H_{max}$: only permitted upon approval by AVENTICS

Further information on vibration isolation can be found in the "Technical information" document (available in the MediaCentre).

The bellow can be exchanged.

Series BCC

R412020598

AVENTICS

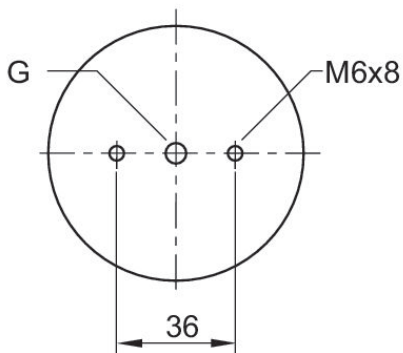
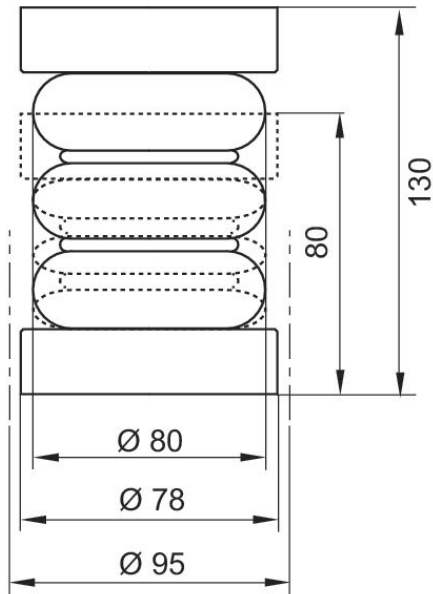
Series BCC

Bellow

actuators

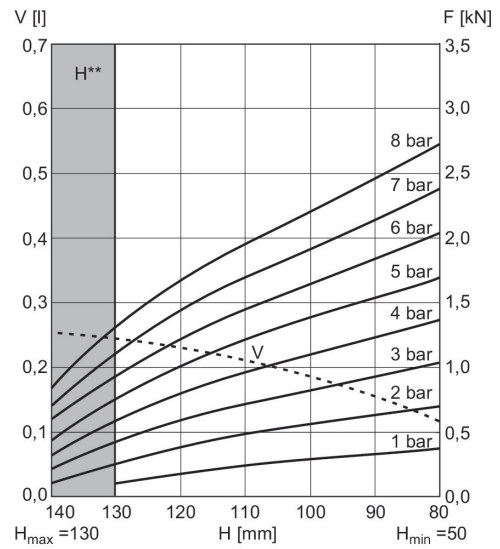
2024-03-15

Dimensions



Force-displacement diagram

R412020598



V = volume H = height H**= use permitted only upon approval by AVENTICS
1 kN = 1000 N