

Bellow actuator with cover, series BCP, double, 4 mounting holes

Series BCP

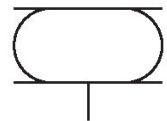
2024-09-12

R412010200

- Bellow cylinder with permanently crimped connecting plates
- Permit high forces in small installation space
- Enables angular movements and axial offset
- High corrosion and temperature resistance
- Tested safety up to 24 bar

AVENTICS Series BCP Bellow actuators

The AVENTICS Series BCP cylinders are bellow actuators with firmly flanged steel covers and bellows made of natural rubber in the standard version. The heat-resistant version is distinguished by bellows made of epichlorohydrin rubber (ECO) and the corrosion-resistant version by stainless steel covers (V2A).



Technical data

Industry	Industrial
Bellows	double
Type	Bellow actuator with cover
Functional principle	Single-acting, retracted without pressure
Compressed air connection	G 3/4
Cover diameter	287 mm
Max. permissible angle of tilt	20 °
Max. effective stroke	223 mm
Min. radial installation space	415 mm
Min. installation height	77 mm
Max. installation height	300 mm
Min. force	27800 N
Max. force	52600 N
Min. working pressure	0 bar
Max. working pressure	8 bar
Min. ambient temperature	-40 °C
Max. ambient temperature	70 °C
Medium	Compressed air
Reduced service life at a temperature greater than	50 °C

Bellow actuator with cover, series BCP, double, 4 mounting holes

Series BCP

2024-09-12

R412010200

Pressure for determining forces

6 bar

Weight

7.3 kg

Material

Material bellow

caoutchouc/butadiene caoutchouc

Material front cover

Steel, chrome-plated

Surface cover

galvanized

Part No.

R412010200

Technical information

Compliance with the minimum height H min. as well as the maximum height H max. must be ensured with end stops.

Use at operating height $\geq H_{max}$: only permitted upon approval by AVENTICS

Further information on vibration isolation can be found in the "Technical information" document (available in the MediaCentre).

The pressure dew point must be at least 15 °C less than ambient and medium temperature and may not exceed 3 °C.

The oil content of compressed air must remain constant during the life cycle.

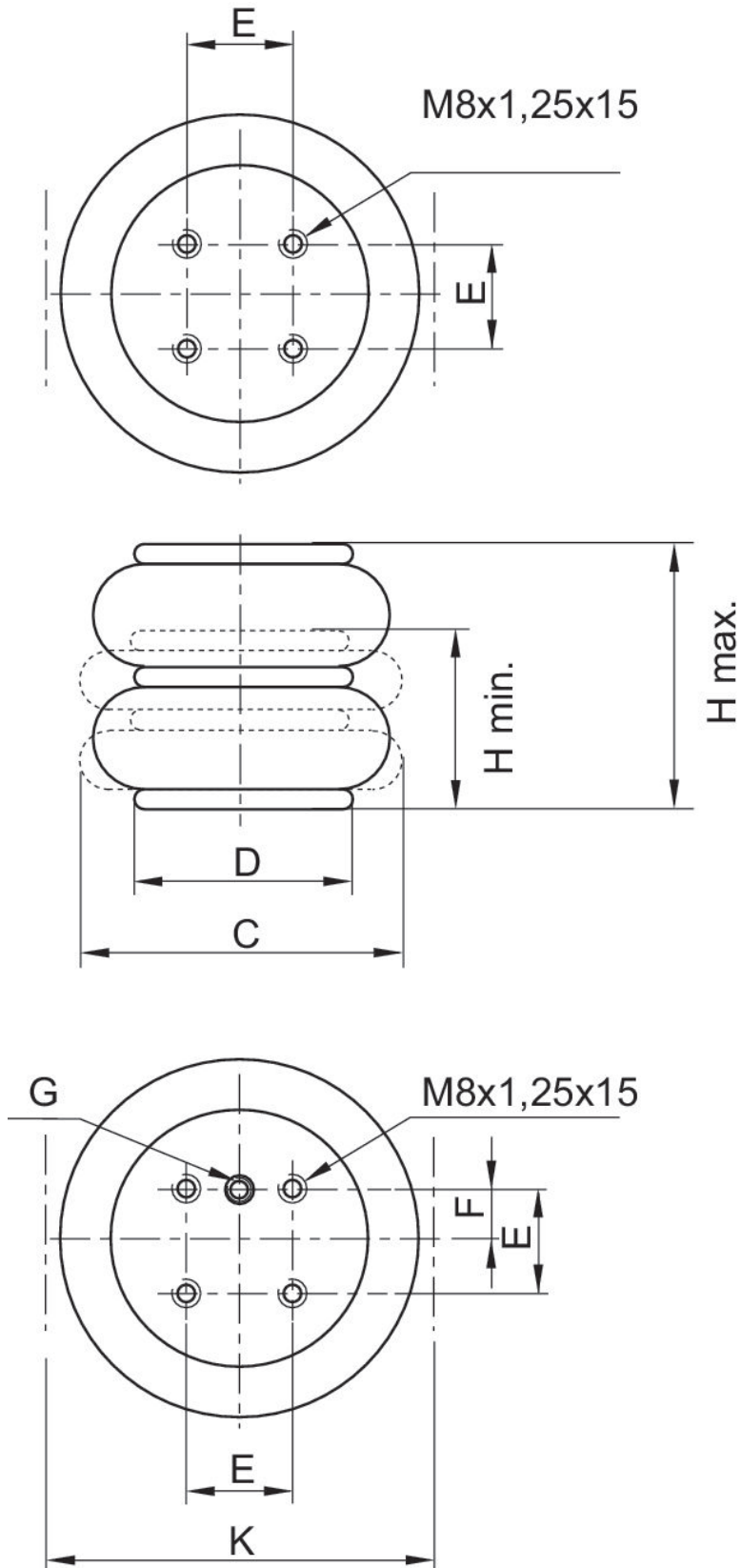
Use only the approved oils from AVENTICS. Further information can be found in the "Technical information" document (available in <https://www.emerson.com/en-us/support>).

Bellow actuator with cover, series BCP, double, 4 mounting holes

Series BCP

2024-09-12

R412010200
Dimensions



Bellow actuator with cover, series BCP, double, 4 mounting holes

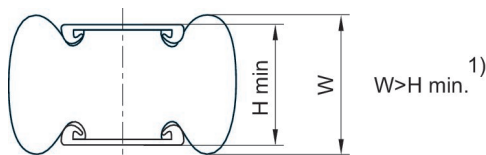
Series BCP

2024-09-12

R412010200

Part No.	Compressed air connection G	H min. mm	H max. mm	C mm	D mm	E ±0,5 [mm]	F ±0,5 [mm]	K mm	Min. return force N
1938191000	G 3/4	77	270	385	287	158.8	79.4	400	400
R412010200	G 3/4	77	300	400	287	158.8	79.4	415	400
2999610900	G 3/4	77	330	405	287	158.8	79.4	420	400

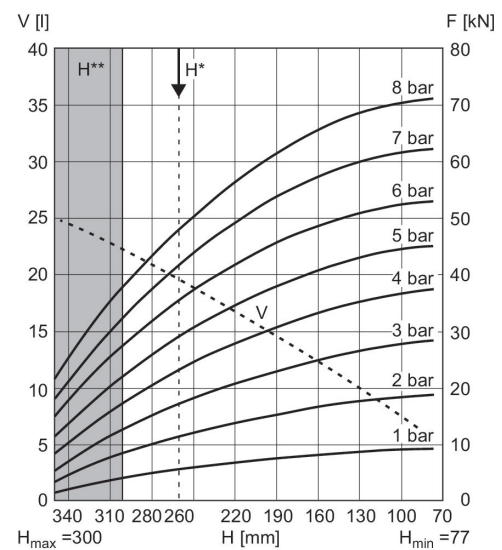
Comment



1) Once the minimum height H min. is reached, the bead height W can fall below the lower limit. If, for these products, level mounting surfaces greater than the cover diameter are selected, the return force and force output at the start of stroke increase. In the process, the rubber bellow is also compressed by the mounting surfaces. These products require more space upward, which can, in rare cases, present a hindrance. In any case, the specifications of the data sheets apply when using mounting surfaces in the size of the bellows actuator cover.

1 kN = 1000 N

Force-displacement diagram R412010200



V = volume H = height H* = recommended operating height for vibration isolation H** = use permitted only upon approval by AVENTICS
1 kN = 1000 N