

Bellow actuator with cover, series BCP, single, air connection in the mounting hole

Series BCP

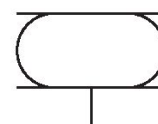
2024-09-12

0822419001

- Bellow cylinder with permanently crimped connecting plates
- Permit high forces in small installation space
- Enables angular movements and axial offset
- High corrosion and temperature resistance
- Tested safety up to 24 bar

AVENTICS Series BCP Bellow actuators

The AVENTICS Series BCP cylinders are bellow actuators with firmly flanged steel covers and bellows made of natural rubber in the standard version. The heat-resistant version is distinguished by bellows made of epichlorohydrin rubber (ECO) and the corrosion-resistant version by stainless steel covers (V2A).



Technical data

Industry	Industrial
Bellows	single
Type	Bellow actuator with cover
Functional principle	Single-acting, retracted without pressure
Compressed air connection	G 1/8
Cover diameter	90 mm
Max. permissible angle of tilt	15 °
Max. effective stroke	50 mm
Min. radial installation space	160 mm
Min. installation height	50 mm
Max. installation height	100 mm
Min. force	2500 N
Max. force	5500 N
Min. working pressure	0 bar
Max. working pressure	8 bar
Min. ambient temperature	-40 °C
Max. ambient temperature	70 °C
Medium	Compressed air
Reduced service life at a temperature greater than	50 °C

Bellow actuator with cover, series BCP, single, air connection in the mounting hole

Series BCP

2024-09-12

0822419001

Pressure for determining forces 6 bar

Weight 1.2 kg

Material

Material bellow	caoutchouc/butadiene caoutchouc
Material front cover	Steel, chrome-plated
Surface cover	galvanized
Part No.	0822419001

Technical information

Compliance with the minimum height H min. as well as the maximum height H max. must be ensured with end stops.

Use at operating height $\geq H_{max}$: only permitted upon approval by AVENTICS

Further information on vibration isolation can be found in the "Technical information" document (available in the MediaCentre).

The pressure dew point must be at least 15 °C less than ambient and medium temperature and may not exceed 3 °C.

The oil content of compressed air must remain constant during the life cycle.

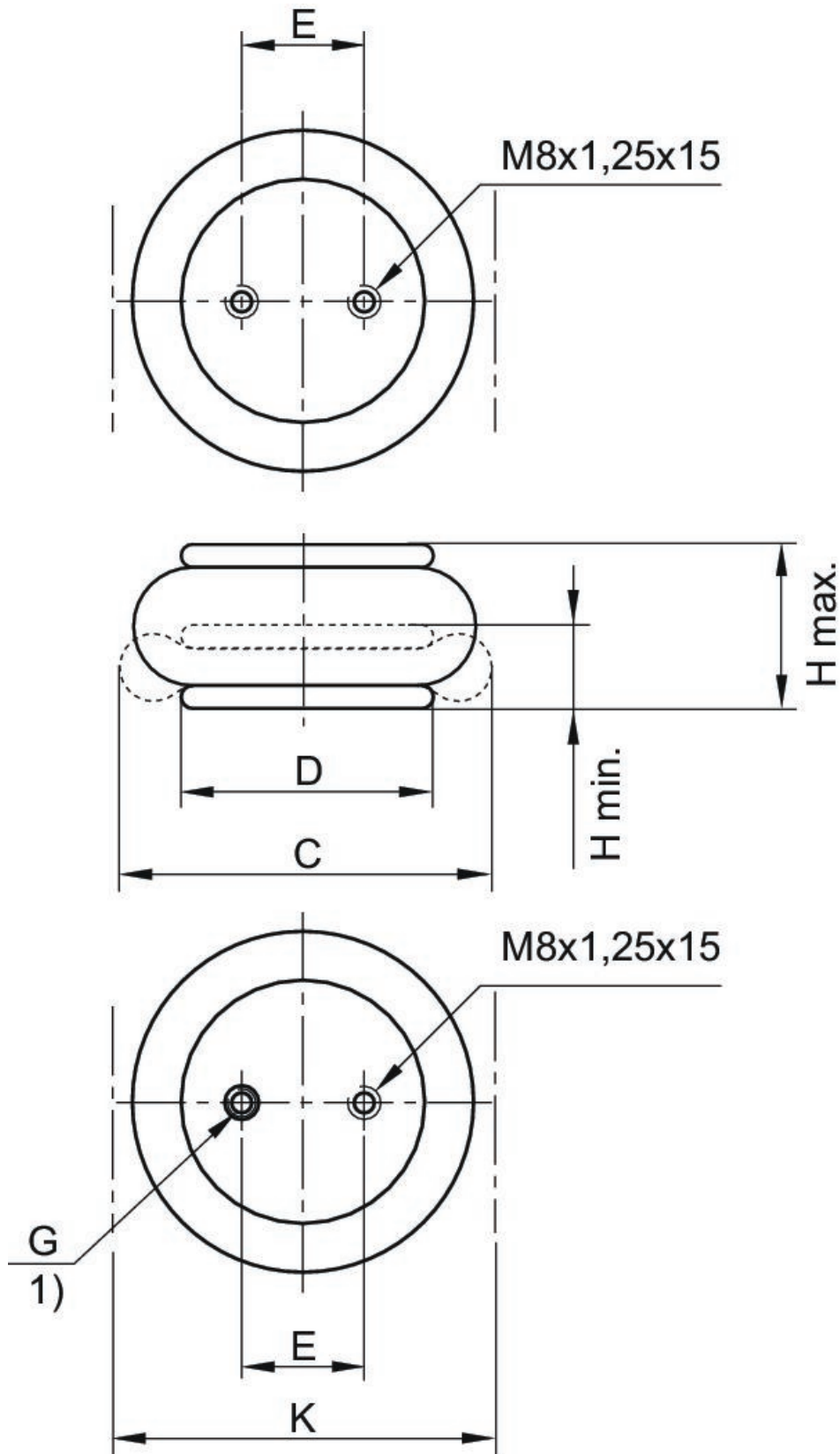
Use only the approved oils from AVENTICS. Further information can be found in the "Technical information" document (available in <https://www.emerson.com/en-us/support>).

Bellow actuator with cover, series BCP, single, air connection in the mounting hole

Series BCP

2024-09-12

0822419001
Dimensions



1) air connection in the mounting hole

Bellow actuator with cover, series BCP, single, air connection in the mounting hole

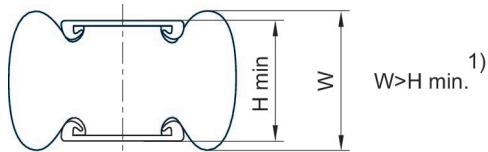
Series BCP

2024-09-12

0822419001

Part No.	Compressed air connection G	H min mm	H max mm	C mm	D mm	E ±0,5 [mm]	K mm	Min. return force N
0822419001	G 1/8	50	100	145	90	20	160	120

Comment

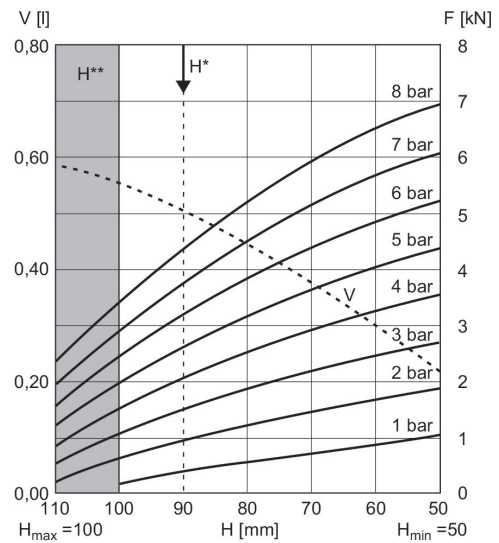


1) Once the minimum height H_{min} is reached, the bead height W can fall below the lower limit. If, for these products, level mounting surfaces greater than the cover diameter are selected, the return force and force output at the start of stroke increase. In the process, the rubber bellow is also compressed by the mounting surfaces. These products require more space upward, which can, in rare cases, present a hindrance. In any case, the specifications of the data sheets apply when using mounting surfaces in the size of the bellows actuator cover.

1 kN = 1000 N

Force-displacement diagram

0822419001



V = volume H = height H^* = recommended operating height for vibration isolation H^{**} = use permitted only upon approval by AVENTICS
1 kN = 1000 N