

Bellow actuator with cover, series BCP, triple, air connection above 3 mounting holes

Series BCP

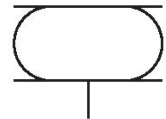
2024-09-12

2999612800

- Bellow cylinder with permanently crimped connecting plates
- Permit high forces in small installation space
- Enables angular movements and axial offset
- High corrosion and temperature resistance
- Tested safety up to 24 bar

AVENTICS Series BCP Bellow actuators

The AVENTICS Series BCP cylinders are bellow actuators with firmly flanged steel covers and bellows made of natural rubber in the standard version. The heat-resistant version is distinguished by bellows made of epichlorohydrin rubber (ECO) and the corrosion-resistant version by stainless steel covers (V2A).



Technical data

Industry	Industrial
Bellows	triple
Type	Bellow actuator with cover
Functional principle	Single-acting, retracted without pressure
Compressed air connection	G 3/4
Cover diameter	228 mm
Max. permissible angle of tilt	20 °
Max. effective stroke	285 mm
Min. radial installation space	345 mm
Min. installation height	110 mm
Max. installation height	395 mm
Min. force	17100 N
Max. force	34500 N
Min. working pressure	0 bar
Max. working pressure	8 bar
Min. ambient temperature	-40 °C
Max. ambient temperature	70 °C
Medium	Compressed air
Reduced service life at a temperature greater than	50 °C

Bellow actuator with cover, series BCP, triple, air connection above 3 mounting holes

Series BCP

2024-09-12

2999612800

Pressure for determining forces 6 bar

Weight 5.9 kg

Material

Material bellow caoutchouc/butadiene caoutchouc

Material front cover Steel, chrome-plated

Surface cover galvanized

Part No. 2999612800

Technical information

Compliance with the minimum height H min. as well as the maximum height H max. must be ensured with end stops.

Use at operating height $\geq H_{max}$: only permitted upon approval by AVENTICS

Further information on vibration isolation can be found in the "Technical information" document (available in the MediaCentre).

The pressure dew point must be at least 15 °C less than ambient and medium temperature and may not exceed 3 °C.

The oil content of compressed air must remain constant during the life cycle.

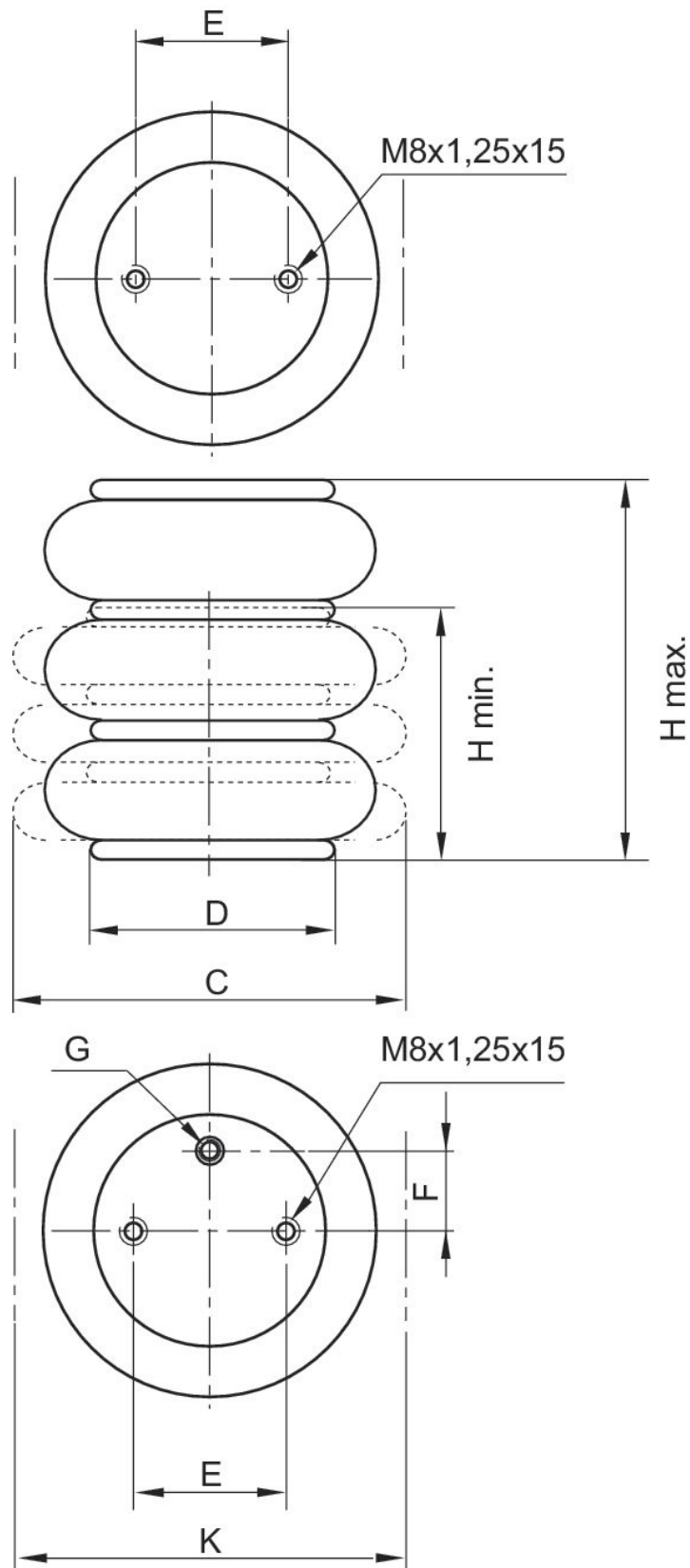
Use only the approved oils from AVENTICS. Further information can be found in the "Technical information" document (available in <https://www.emerson.com/en-us/support>).

Bellow actuator with cover, series BCP, triple, air connection above 3 mounting holes

Series BCP

2024-09-12

2999612800
Dimensions



Bellow actuator with cover, series BCP, triple, air connection above 3 mounting holes

Series BCP

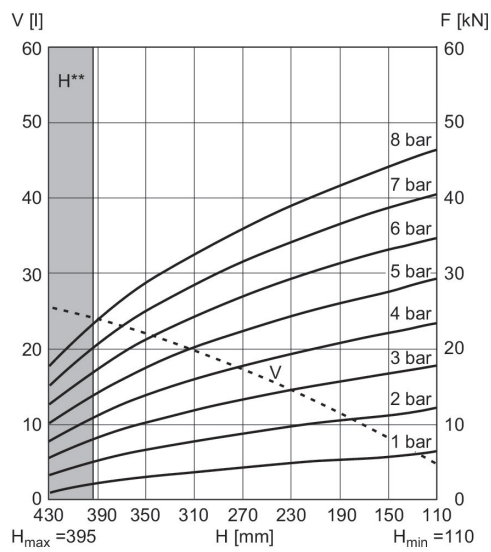
2024-09-12

2999612800

Part No.	Compressed air connection G	H min. mm	H max. mm	C mm	D mm	E ±0,5 [mm]	F ±0,5 [mm]	K mm	Min. return force N
2999612800	G 3/4	110	395	325	228	157.5	73	345	400

Force-displacement diagram

2999612800



V = volume H = height H**= use permitted only upon approval by AVENTICS
 1 kN = 1000 N