

AVENTICS Series BSA Bellow suction grippers

AVENTICS Series BSA bellow suction grippers are suitable for workpieces with curved or inclined surfaces, as well as to compensate for height tolerances or to handle large-surface, non-rigid components such as large, thin sheets.



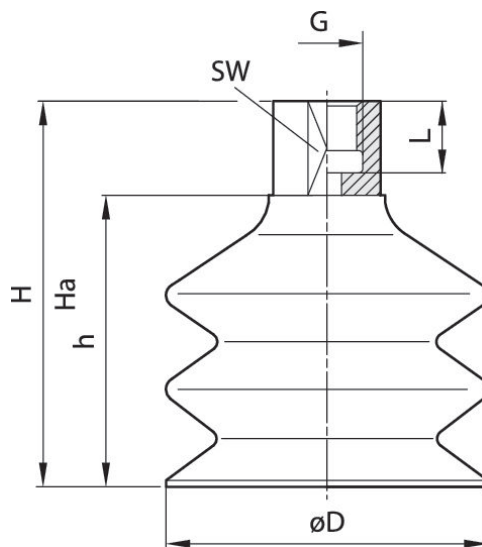
Technical data

| | |
|--|-----------------------|
| Industry | Industrial |
| Min. ambient temperature | -40 °C |
| Max. ambient temperature | 80 °C |
| Temporary ambient temperature (<30 s) min. | -40 °C |
| Temporary ambient temperature (<30 s) max. | 100 °C |
| Compressed air connection | G 1/4 |
| external diameter | 29 mm |
| Holding force | 13.5 N |
| Separation force | 32 N |
| Volume | 9 cm ³ |
| Max. curving on object R min | 25 mm |
| Abrasion value according to DIN 535 16 | 10-12 mm ³ |
| Hardness according to standard | 72 ± 5 Shore A |
| Connection thread type | Internal thread |
| low-wear | low-wear |
| Material connector | Aluminum |
| Suction unit material | Polyurethane |
| Delivery unit | 1 piece |
| Weight | 0.017 kg |
| Part No. | 1820415161 |

Technical information

To be used on uneven, sensitive, and smooth to slightly rough surfaces.

Dimensions



| Part No. | ØD [mm] | G | Ha*) | H | h | SW | L |
|------------|---------|-------|------|-----|----|----|----|
| 1820415161 | 29 | G 1/4 | 40 | 55 | 40 | 17 | 12 |
| 1820415162 | 59 | G 1/4 | 40 | 70 | 55 | 17 | 12 |
| 1820415163 | 80.2 | G 1/4 | 62 | 100 | 85 | 22 | 12 |

*) Height for vacuum operation