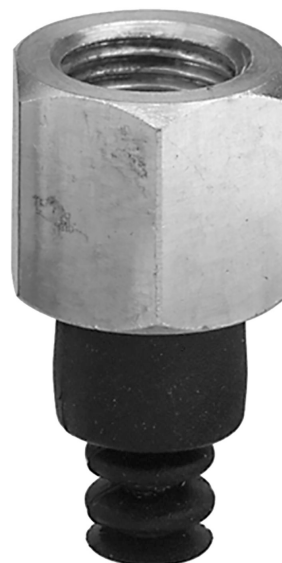


## AVENTICS Series BSA Bellow suction grippers

AVENTICS Series BSA bellow suction grippers are suitable for workpieces with curved or inclined surfaces, as well as to compensate for height tolerances or to handle large-surface, non-rigid components such as large, thin sheets.



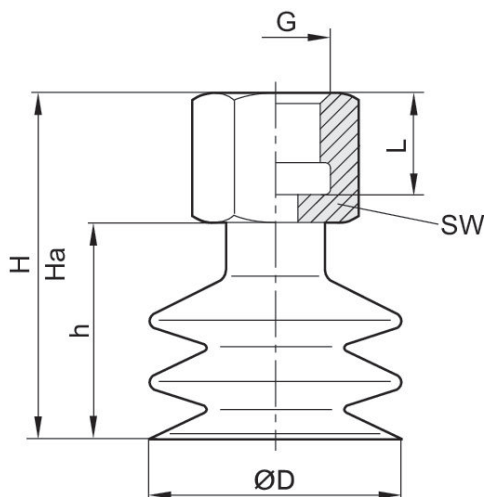
### Technical data

Industry	Industrial
Min. ambient temperature	-10 °C
Max. ambient temperature	70 °C
Temporary ambient temperature (<30 s) min.	-30 °C
Temporary ambient temperature (<30 s) max.	120 °C
Compressed air connection	M5
external diameter	5 mm
Holding force	0.1 N
Separation force	0.8 N
Volume	0.033 cm <sup>3</sup>
Max. curving on object R min	8 mm
Abrasion value according to DIN 535 16	100-120 mm <sup>3</sup>
Hardness according to standard	55 ± 5 Shore A
Connection thread type	Internal thread
Material connector	Aluminum
Suction unit material	Acrylonitrile butadiene rubber
Delivery unit	2 piece
Weight	0.0047 kg
Part No.	1820415168

## Technical information

To be used on uneven, sensitive, and smooth to slightly rough surfaces.

## Dimensions



Part No.	ØD [mm]	G	Ha <sup>*)</sup>	H	h	L	SW
1820415168	5	M5	21	24	13.5	8.5	8
1820415105	5.9	G 1/8	22	26	14	9	14
1820415073	9	G 1/8	24	27	15	9	14
1820415077	14.5	G 1/8	25	34	22	9	14
1820415081	17.2	G 1/8	25	34	22	9	14
1820415085	20	G 1/8	25	34	22	9	14
1820415089	32	G 1/4	37.5	52.5	37.5	12	17
1820415093	42.6	G 1/4	41	61	46	12	17
1820415097	62.2	G 1/4	41	70	55	12	17
1820415101	89	G 1/4	69	103	88	12	21

<sup>\*)</sup> Height for vacuum operation