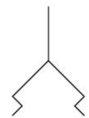
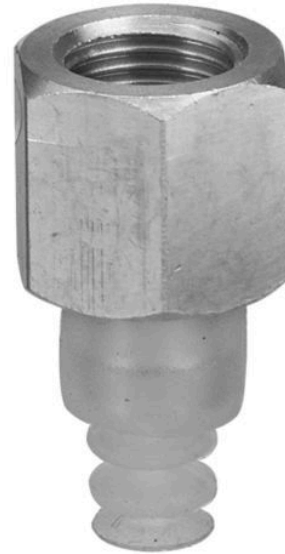


AVENTICS Series BSA Bellow suction grippers

AVENTICS Series BSA bellow suction grippers are suitable for workpieces with curved or inclined surfaces, as well as to compensate for height tolerances or to handle large-surface, non-rigid components such as large, thin sheets.



Technical data

Industry	Industrial
Min. ambient temperature	-30 °C
Max. ambient temperature	180 °C
Temperature resistance	Heat resistant
Temporary ambient temperature (<30 s) min.	-50 °C
Temporary ambient temperature (<30 s) max.	220 °C
Compressed air connection	G 1/4
external diameter	62.2 mm
Holding force	39.6 N
Separation force	137 N
Volume	72.5 cm ³
Max. curving on object R min	75 mm
Abrasion value according to DIN 535 16	180-200 mm ³
Hardness according to standard	55 ± 5 Shore A
Connection thread type	Internal thread
Material connector	Aluminum
Suction unit material	Fluoromethyl silicone
Delivery unit	1 piece
Weight	0.06 kg
Part No.	1820415099

Bellow suction gripper, BSA series

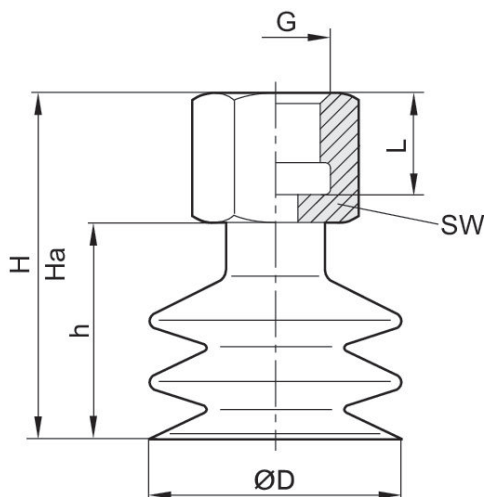
2024-03-15

1820415099

Technical information

To be used on uneven, sensitive, and smooth to slightly rough surfaces.

Dimensions



Part No.	ØD [mm]	G	Ha*)	H	h	L	SW
1820415170	5	M5	21	24	13.5	8.5	8
1820415107	5.9	G 1/8	22	26	14	9	14
1820415075	9	G 1/8	24	27	15	9	14
1820415079	14.5	G 1/8	25	34	22	9	14
1820415083	17.2	G 1/8	25	34	22	9	14
1820415087	20	G 1/8	25	34	22	9	14
1820415091	32	G 1/4	37.5	52.5	37.5	12	17
1820415095	42.6	G 1/4	41	61	46	12	17
1820415099	62.2	G 1/4	41	70	55	12	17
1820415103	89	G 1/4	69	103	88	12	21

*) Height for vacuum operation