

AVENTICS Series BSA Bellow suction grippers

AVENTICS Series BSA bellow suction grippers are suitable for workpieces with curved or inclined surfaces, as well as to compensate for height tolerances or to handle large-surface, non-rigid components such as large, thin sheets.



Technical data

Industry	Industrial
Min. ambient temperature	-40 °C
Max. ambient temperature	80 °C
Temporary ambient temperature (<30 s) min.	-40 °C
Temporary ambient temperature (<30 s) max.	100 °C
Compressed air connection	G 1/4
external diameter	80.2 mm
Holding force	120 N
Separation force	250 N
Volume	195 cm ³
Max. curving on object R min	60 mm
Abrasion value according to DIN 535 16	10-12 mm ³
Hardness according to standard	72 ± 5 Shore A
Connection thread type	External thread
low-wear	low-wear
Material connector	Aluminum
Suction unit material	Polyurethane
Delivery unit	1 piece
Weight	0.145 kg
Part No.	1820415014

Bellow suction gripper, BSA series

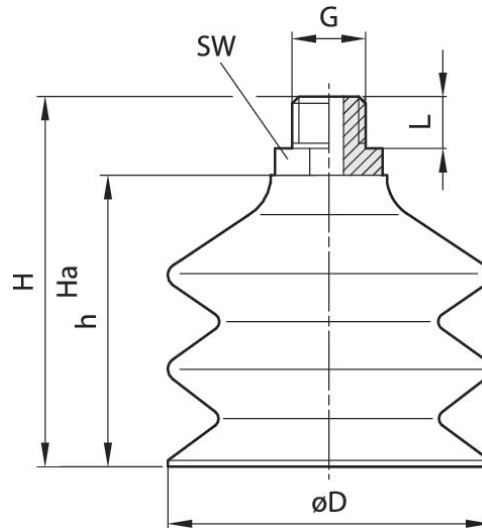
2024-03-15

1820415014

Technical information

To be used on uneven, sensitive, and smooth to slightly rough surfaces.

Dimensions



Part No.	ØD [mm]	G	Ha ^{*)}	H	h	SW	L
1820415010	29	G 1/4	40	55	40	17	10
1820415013	59	G 1/4	40	70	55	17	10
1820415014	80.2	G 1/4	62	100	85	22	10

^{*)} Height for vacuum operation