

AVENTICS Series BSG Bellow suction grippers

AVENTICS Series BSG bellow suction grippers are suitable for workpieces with curved or inclined surfaces, as well as to compensate for height tolerances or to handle large-surface, non-rigid components such as large, thin sheets.



Technical data

| | |
|--|-------------------------|
| Industry | Industrial |
| Min. ambient temperature | -30 °C |
| Max. ambient temperature | 180 °C |
| Temperature resistance | Heat resistant |
| Temporary ambient temperature (<30 s) min. | -50 °C |
| Temporary ambient temperature (<30 s) max. | 220 °C |
| Compressed air connection | G 1/8 |
| external diameter | 20 mm |
| Holding force | 5.7 N |
| Separation force | 15.2 N |
| Volume | 1.4 cm ³ |
| Max. curving on object R min | 25 mm |
| Abrasion value according to DIN 535 16 | 180-200 mm ³ |
| Hardness according to standard | 55 ± 5 Shore A |
| Connection thread type | External thread |
| Material connector | Aluminum |
| Suction unit material | Fluoromethyl silicone |
| Delivery unit | 1 piece |
| Weight | 0.006 kg |

Bellow suction gripper, BSG series

2024-03-15

1820415037

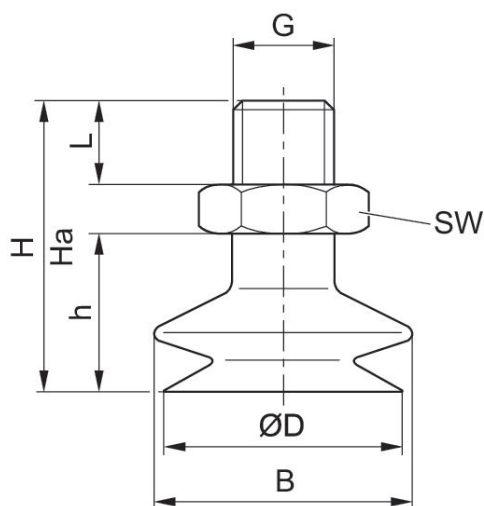
Part No.

1820415037

Technical information

To be used on uneven, sensitive, and smooth to slightly rough surfaces.

Dimensions



| Part No. | ØD [mm] | G | Ha ^{*)} | H | h | B | SW | L |
|------------|---------|-------|------------------|------|----|----|----|-----|
| 1820415029 | 10.4 | G 1/8 | 25.5 | 29.5 | 16 | 12 | 14 | 7.5 |
| 1820415033 | 15.6 | G 1/8 | 25.5 | 32.5 | 19 | 17 | 14 | 7.5 |
| 1820415037 | 20 | G 1/8 | 27.5 | 32.5 | 19 | 24 | 14 | 7.5 |
| 1820415041 | 30 | G 1/4 | 33 | 42 | 27 | 36 | 17 | 11 |
| 1820415045 | 38 | G 1/4 | 33 | 43 | 28 | 46 | 17 | 11 |
| 1820415049 | 50 | G 1/4 | 37 | 49 | 34 | 59 | 17 | 11 |
| 1820415053 | 74 | G 1/4 | 50 | 64 | 47 | 83 | 21 | 11 |

^{*)} Height for vacuum operation