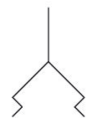


## AVENTICS Series BSG Bellow suction grippers

AVENTICS Series BSG bellow suction grippers are suitable for workpieces with curved or inclined surfaces, as well as to compensate for height tolerances or to handle large-surface, non-rigid components such as large, thin sheets.



### Technical data

Industry	Industrial
Min. ambient temperature	-10 °C
Max. ambient temperature	70 °C
Temporary ambient temperature (<30 s) min.	-30 °C
Temporary ambient temperature (<30 s) max.	120 °C
Compressed air connection	G 1/4
external diameter	38 mm
Holding force	22.8 N
Separation force	64.5 N
Volume	9.25 cm <sup>3</sup>
Max. curving on object R min	60 mm
Abrasion value according to DIN 535 16	100-120 mm <sup>3</sup>
Hardness according to standard	55 ± 5 Shore A
Connection thread type	External thread
Material connector	Aluminum
Suction unit material	Acrylonitrile butadiene rubber
Delivery unit	1 piece
Weight	0.019 kg
Part No.	1820415047

# Bellow suction gripper, BSG series

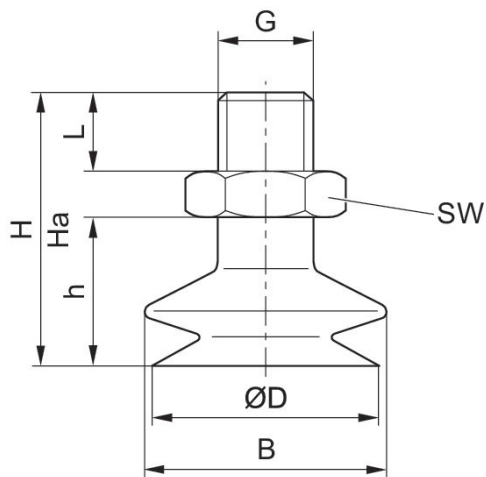
2024-03-15

1820415047

## Technical information

To be used on uneven, sensitive, and smooth to slightly rough surfaces.

## Dimensions



Part No.	ØD [mm]	G	Ha*)	H	h	B	SW	L
1820415031	10.4	G 1/8	25.5	29.5	16	12	14	7.5
1820415035	15.6	G 1/8	25.5	32.5	19	17	14	7.5
1820415039	20	G 1/8	27.5	32.5	19	24	14	7.5
1820415043	30	G 1/4	33	42	27	36	17	11
1820415047	38	G 1/4	33	43	28	46	17	11
1820415051	50	G 1/4	37	49	34	59	17	11
1820415055	74	G 1/4	50	64	47	83	21	11

\*) Height for vacuum operation