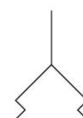


AVENTICS Series BSG Bellow suction grippers

AVENTICS Series BSG bellow suction grippers are suitable for workpieces with curved or inclined surfaces, as well as to compensate for height tolerances or to handle large-surface, non-rigid components such as large, thin sheets.



Technical data

Industry	Industrial
Min. ambient temperature	-40 °C
Max. ambient temperature	80 °C
Temporary ambient temperature (<30 s) min.	-40 °C
Temporary ambient temperature (<30 s) max.	100 °C
Compressed air connection	G 1/4
external diameter	59 mm
Holding force	75 N
Separation force	120 N
Volume	31 cm ³
Max. curving on object R min	50 mm
Abrasion value according to DIN 535 16	10-12 mm ³
Hardness according to standard	72 ± 5 Shore A
Connection thread type	Internal thread
low-wear	low-wear
Material connector	Aluminum
Suction unit material	Polyurethane
Delivery unit	1 piece
Weight	0.038 kg
Part No.	1820415159

Bellow suction gripper, BSG series

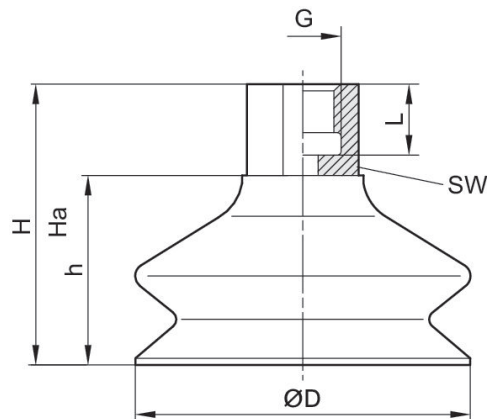
2024-03-15

1820415159

Technical information

To be used on uneven, sensitive, and smooth to slightly rough surfaces.

Dimensions



Part No.	ØD [mm]	G	H_a^*	H	h	L	SW
1820415158	29	G 1/4	33.5	42	27	12	17
1820415174	38	G 1/4	28.2	41	26	12	17
1820415176	47	G 1/4	33	47.5	32.5	12	17
1820415159	59	G 1/4	36.5	49	34	12	17
1820415160	84	G 1/4	47	62	47	12	22

*) Height for vacuum operation