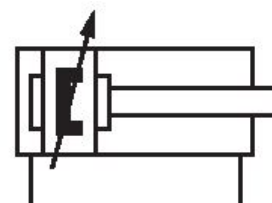


Tie rod cylinder, CNOMO NFE 49-001, Series C12P

7472408137

General series information
AVENTICS Series C12P Tie rod cylinders

- The AVENTICS Series C12P is a cylinder Series according the standard CNOMO NFE 49-001 and offer a replacement for existing application.



Technical data

| | |
|--|---------------------------------|
| Industry | Industrial |
| Standards | CNOMO / NFE 49-001 |
| Piston Ø | 160 mm |
| Stroke | 300 mm |
| Ports | G 3/4 |
| Functional principle | Double-acting |
| Cushioning | Pneumatic adjustable cushioning |
| Magnetic piston | Piston with magnet |
| Environmental requirements | Industry standard |
| Piston rod | single |
| Scraper | Standard Industry Scraper |
| Pressure for determining piston forces | 6,3 bar |

| | |
|------------------------------------|---------------------|
| Retracting piston force | 11875 N |
| Extracting piston force | 12667 N |
| Min. ambient temperature | -20 °C |
| Max. ambient temperature | 80 °C |
| Working pressure min. | 2 bar |
| Working pressure max | 10 bar |
| Piston rod thread | M36x2 |
| Weight 0 mm stroke | 11.6 kg |
| Weight +10 mm stroke | 0.352 kg |
| Stroke max. | 2600 mm |
| Medium | Compressed air |
| Min. medium temperature | -20 °C |
| Max. medium temperature | 80 °C |
| Max. particle size | 50 µm |
| Oil content of compressed air min. | 0 mg/m ³ |
| Oil content of compressed air max. | 5 mg/m ³ |

Material

| | |
|-----------------------|----------------------|
| Piston rod | Stainless Steel |
| Material tie-rod | Stainless Steel |
| Seal material | Polyurethane |
| Material, front cover | Aluminum |
| Cylinder tube | Aluminum |
| End cover | Aluminum |
| Nut for piston rod | Steel, chrome-plated |
| Part No. | 7472408137 |

Technical information

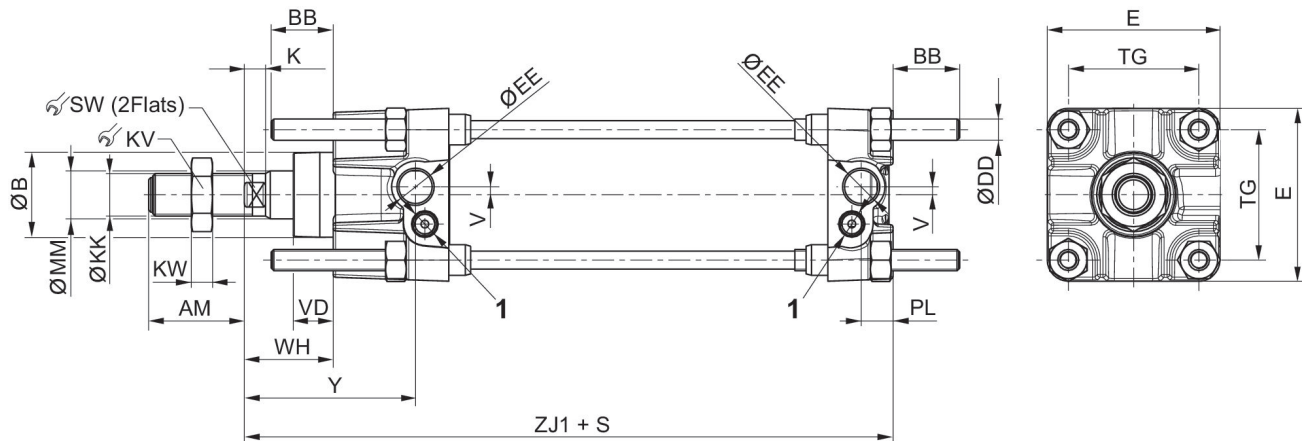
You will find the order key and all valid configurations (customer information) in the Media Centre.

The pressure dew point must be at least 15 °C less than ambient and medium temperature and may not exceed 3 °C.

The oil content of compressed air must remain constant during the life cycle.

Use only the approved oils from AVENTICS. Further information can be found in the “Technical information” document (available in <https://www.emerson.com/en-us/support>).

Dimensions



1) Flow control screw
S=stroke

| Piston Ø | AM | BB | Ø B e9 | Ø DD | E | Ø EE | K | Ø KK | KV |
|----------|----|----|--------|------|-----|------|----|---------|----|
| 32 | 20 | 17 | 25 | M6 | 45 | G1/8 | 6 | M10x1,5 | 17 |
| 40 | 36 | 17 | 32 | M6 | 52 | G1/4 | 8 | M16x1,5 | 24 |
| 50 | 36 | 23 | 32 | M8 | 65 | G1/4 | 8 | M16x1,5 | 24 |
| 63 | 46 | 23 | 45 | M8 | 75 | G3/8 | 10 | M20x1,5 | 30 |
| 80 | 46 | 28 | 45 | M10 | 95 | G3/8 | 10 | M20x1,5 | 30 |
| 100 | 63 | 28 | 55 | M10 | 115 | G1/2 | 16 | M27x2 | 41 |
| 125 | 63 | 34 | 55 | M12 | 140 | G1/2 | 16 | M27x2 | 41 |
| 160 | 85 | 42 | 65 | M16 | 180 | G3/4 | 16 | M36x2 | 55 |
| 200 | 85 | 42 | 65 | M16 | 220 | G3/4 | 16 | M36x2 | 55 |

| Piston Ø | KW | Ø MM | PL | SW | TG | V | VD | WH | Y |
|----------|------|------|----|----|-----|---|----|----|----|
| 32 | 5 | 12 | 9 | 8 | 33 | - | 15 | 25 | 44 |
| 40 | 8 | 18 | 12 | 13 | 40 | 3 | 15 | 34 | 65 |
| 50 | 8 | 18 | 12 | 13 | 49 | 3 | 15 | 34 | 65 |
| 63 | 10 | 22 | 14 | 17 | 59 | 5 | 20 | 39 | 71 |
| 80 | 10 | 22 | 14 | 17 | 75 | 9 | 20 | 39 | 71 |
| 100 | 13.5 | 30 | 18 | 22 | 90 | - | 20 | 47 | 84 |
| 125 | 13.5 | 30 | 18 | 22 | 110 | - | 20 | 47 | 84 |
| 160 | 18 | 40 | 25 | 32 | 140 | - | 25 | 50 | 95 |
| 200 | 18 | 40 | 25 | 32 | 175 | - | 25 | 50 | 95 |

| Piston Ø | ZJ1 |
|----------|-----|
| 32 | 105 |
| 40 | 144 |
| 50 | 144 |
| 63 | 164 |
| 80 | 164 |
| 100 | 192 |

| Piston Ø | ZJ1 |
|----------|-----|
| 125 | 192 |
| 160 | 230 |
| 200 | 230 |

Cushioning diagram



v = Piston velocity [m/s] m = Cushionable mass [kg]

Cushioning diagram



v = Piston velocity [m/s] m = Cushionable mass [kg]