

# Bearing block, Series AB7

R422003604

Bearing  
block

2023-11-14

## AVENTICS Bearing blocks



### Technical data

Industry

Industrial

Standardization

CNOMO / NFE 49-001

Piston diameter

63 mm

80 mm

Swivel bearing Ø

10 mm

### Material

Housing material

Aluminum

Surface housing

Cathodic dip-painted

Part No.

R422003604

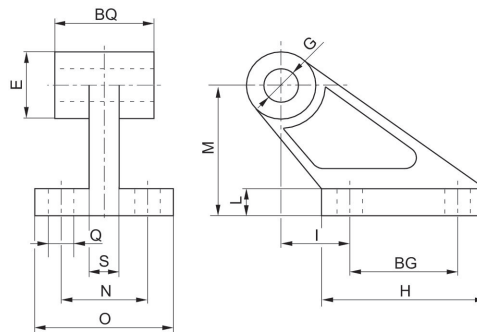
Dimensions

# Bearing block, Series AB7

R422003604

Bearing  
block

2023-11-14



| Piston Ø | Part No.   | BG  | BQ  | G H9 | H   | I  | L  | M   | N  |
|----------|------------|-----|-----|------|-----|----|----|-----|----|
| 25, 32   | R422003602 | 20  | 20  | 8    | 37  | 18 | 8  | 32  | 25 |
| 40, 50   | R422003603 | 32  | 32  | 12   | 54  | 25 | 10 | 45  | 32 |
| 63, 80   | R422003604 | 50  | 50  | 16   | 75  | 32 | 13 | 63  | 40 |
| 100, 125 | R422003605 | 70  | 70  | 20   | 103 | 40 | 17 | 90  | 50 |
| 160, 200 | R422003606 | 110 | 110 | 25   | 154 | 50 | 20 | 140 | 63 |

| Piston Ø | O   | Q H13 | R max. | S  |
|----------|-----|-------|--------|----|
| 25, 32   | 41  | 7     | 19.5   | 9  |
| 40, 50   | 52  | 9     | 26     | 14 |
| 63, 80   | 63  | 11    | 32     | 14 |
| 100, 125 | 80  | 14    | 42     | 22 |
| 160, 200 | 111 | 18    | 54     | 26 |