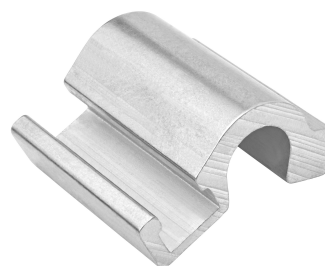


Sensor mounting, Series CB1

R412022357

General series information
AVENTICS Sensor mountings

- AVENTICS Sensors mountings are especially designed to mount AVENTICS sensors on various cylinders.

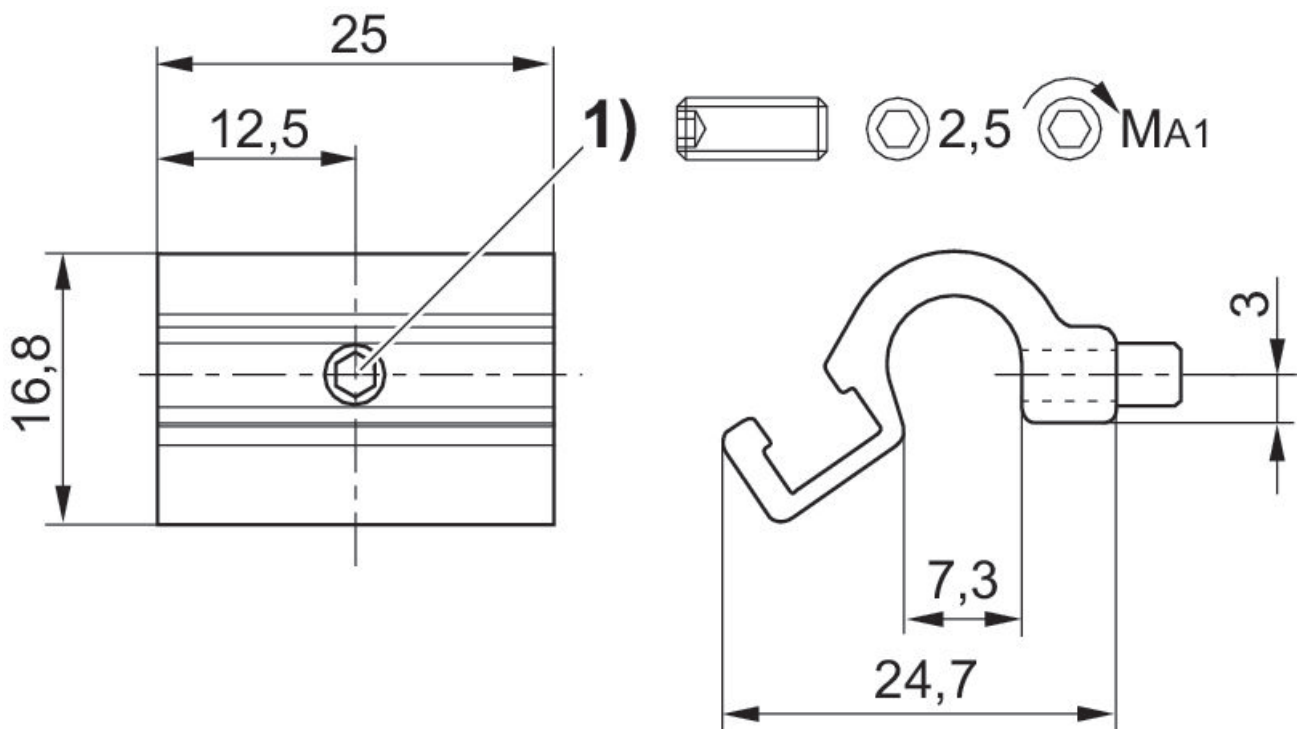


Technical data

Industry	Industrial
For series	167
Cylinders Ø max.	25 mm
Scope of delivery	1 piece
Weight	0.01 kg

Material

Housing material	Aluminum
Part No.	R412022357



1) Mounting screw

Part No.	Cylinders Ø max.	MA1 [Nm]
R412022357	25 mm	1 + 0,3