

Sensor mounting, Series CB1

1827020067

General series information
AVENTICS Sensor mountings

- AVENTICS Sensors mountings are especially designed to mount AVENTICS sensors on various cylinders.

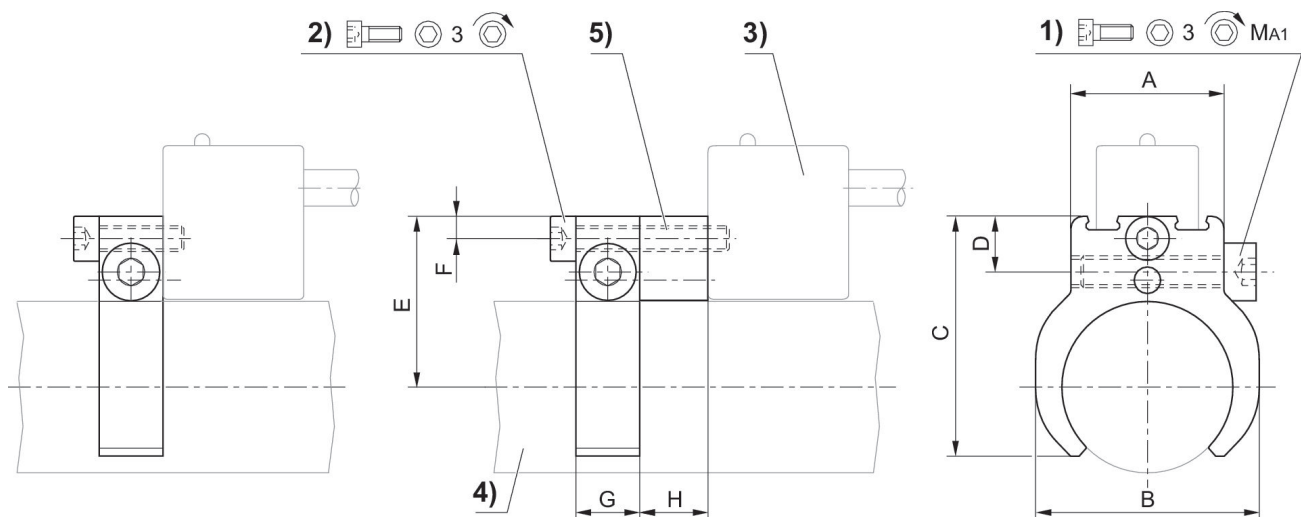


Technical data

Industry	Industrial
For series	MNI
Cylinders Ø min.	16 mm
Cylinders Ø max.	16 mm
Weight	0.02 kg

Material

Housing material	Aluminum
Part No.	1827020067



1) Clamping screw 2) Mounting screw for sensor 3) Sensor 4) Cylinder profile 5) Insert (on request)

Cylinders Ø mm	Part No.	A	B	C	D	E	F	G	H
10	1827020065	16	16	23.5	8.2	18.7	3.5	10	10.7
12	1827020066	16	20	25.5	8.2	19.9	3.5	10	10.7
16	1827020067	20	24	29.7	8.7	21.9	3.5	10	10.7
20	1827020068	20	28	33	8.7	24.1	3.5	10	10.7
25	1827020069	24	35	37.5	8.7	26.6	3.5	10	10.7

Cylinders Ø mm	1)	MA1 [Nm]
10	M4x14	1 +0,3
12	M4x14	1 +0,3
16	M4x25	1 +0,3
20	M4x25	1 +0,3
25	M4x25	1 +0,3