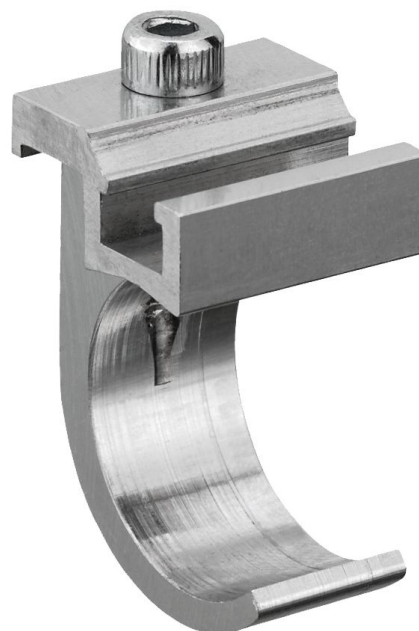


Sensor mounting, Series CB1

1827020298

General series information
AVENTICS Sensor mountings

- AVENTICS Sensors mountings are especially designed to mount AVENTICS sensors on various cylinders.



Technical data

Industry

Industrial

For series

MNI
ICM

Cylinders Ø min.

16 mm

Weight

0.014 kg

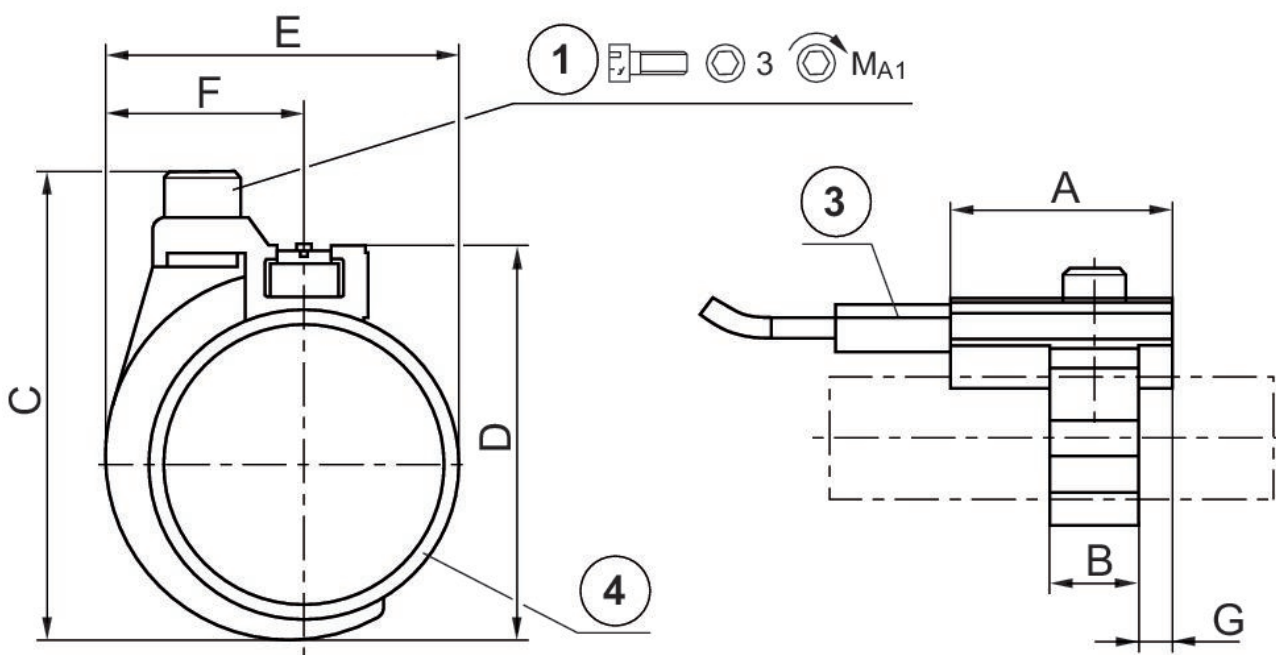
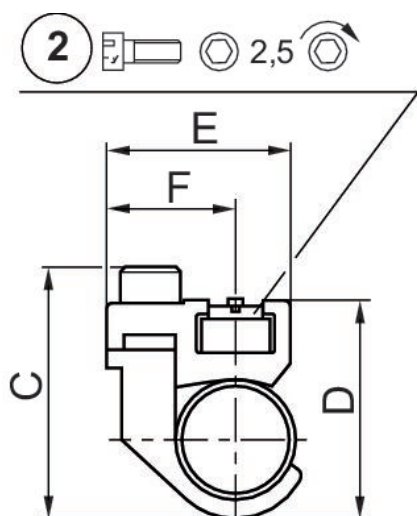
Material

Housing material

Aluminum

Part No.

1827020298



1) Mounting screw 2) Mounting screw for sensor 3) Sensor 4) Cylinder pipe

| Part No. | Cylinders Ø | A | B | C | D | E | F | G | Mounting screw |
|------------|-------------|----|----|----|----|------|------|---|----------------|
| 1827020296 | 10 mm | 20 | 8 | 24 | 19 | 17.5 | 11.8 | 3 | M3x8 |
| 1827020297 | 12 mm | 20 | 8 | 26 | 22 | 19 | 11.8 | 3 | M3x8 |
| 1827020298 | 16 mm | 20 | 12 | 34 | 30 | 23 | 13.8 | 4 | M4x10 |
| 1827020299 | 20 mm | 20 | 12 | 38 | 32 | 26 | 13.8 | 4 | M4x10 |
| 1827020300 | 25 mm | 20 | 12 | 43 | 37 | 31 | 13.8 | 4 | M4x10 |

| Part No. | MA1 [Nm] |
|------------|----------|
| 1827020296 | 1 +0,2 |
| 1827020297 | 1 +0,2 |
| 1827020298 | 2 +0,3 |
| 1827020299 | 2 +0,3 |
| 1827020300 | 2 +0,3 |