

# Sensor mounting, Series CB1

R412021791

General series information  
AVENTICS Sensor mountings

- AVENTICS Sensors mountings are especially designed to mount AVENTICS sensors on various cylinders.



## Technical data

Industry  
For series

Industrial  
MNI  
ICM  
CSL-RD

Min. ambient temperature  
Max. ambient temperature  
Cylinders Ø min.  
Scope of delivery  
Weight

-30 °C  
80 °C  
16 mm  
1 piece  
0.007 kg

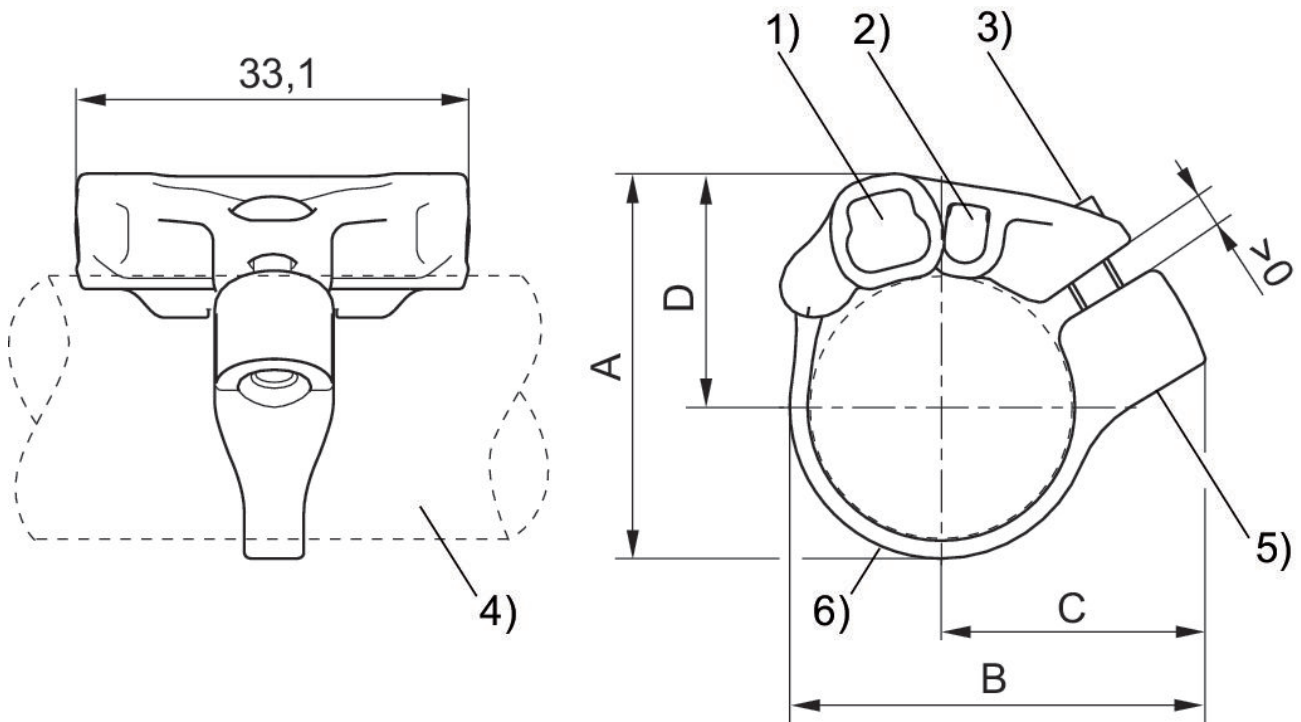
## Material

Housing material

Polyamide  
Stainless Steel

Part No.

R412021791



1) Sensor slot for ST6 2) Sensor slot for ST4 3) Mounting screw (made of stainless steel) 4) Cylinder profile 5) Thread insert (made of stainless steel) 6) Tightening strap

Part No.	A	B	C	D
R412021791	27.7	32.5	22.1	17.3
R412021792	32.4	35	22.4	19.7
R412021793	37.4	39.5	24.3	22.2