

# Sensor mounting, Series CB1

R412025666

General series information  
AVENTICS Sensor mountings

- AVENTICS Sensors mountings are especially designed to mount AVENTICS sensors on various cylinders.

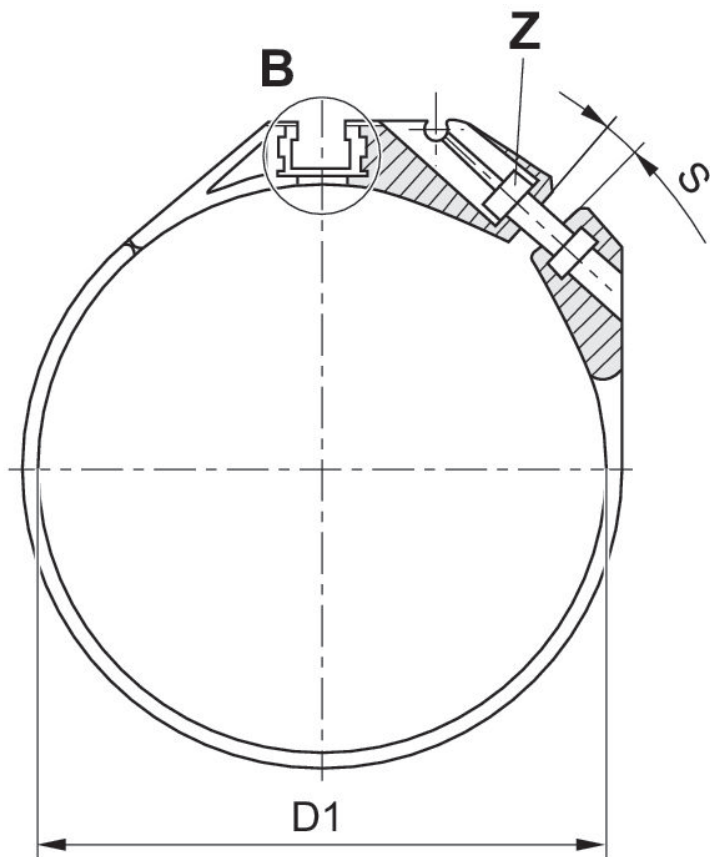


## Technical data

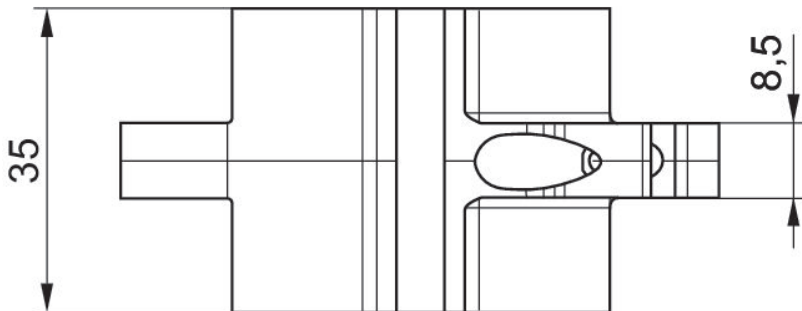
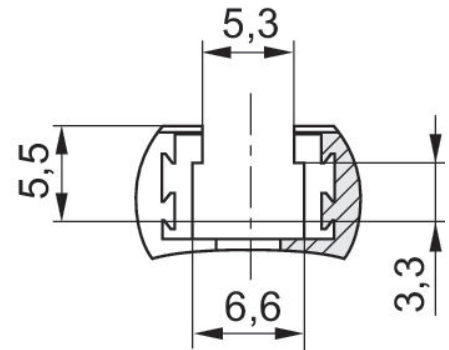
Industry	Industrial
For series	RPC
Cylinders Ø min.	40 mm
Cylinders Ø max.	40 mm
Weight	0.011 kg

## Material

Housing material	Polyoxymethylene Aluminum
Part No.	R412025666



**B 2 : 1**



Part No.	D1	S	Z
R412025665	34	35	ISO 4762 - M3 x 10 A2
R412025666	42	43	ISO 4762 - M3 x 12 A2
R412025667	52,9	54	ISO 4762 - M3 x 12 A2
R412025668	65	66	ISO 4762 - M3 x 12 A2

S = recommended max. spread width [mm]