

# Sensor mounting, Series CB1

R412025668

General series information  
AVENTICS Sensor mountings

- AVENTICS Sensors mountings are especially designed to mount AVENTICS sensors on various cylinders.

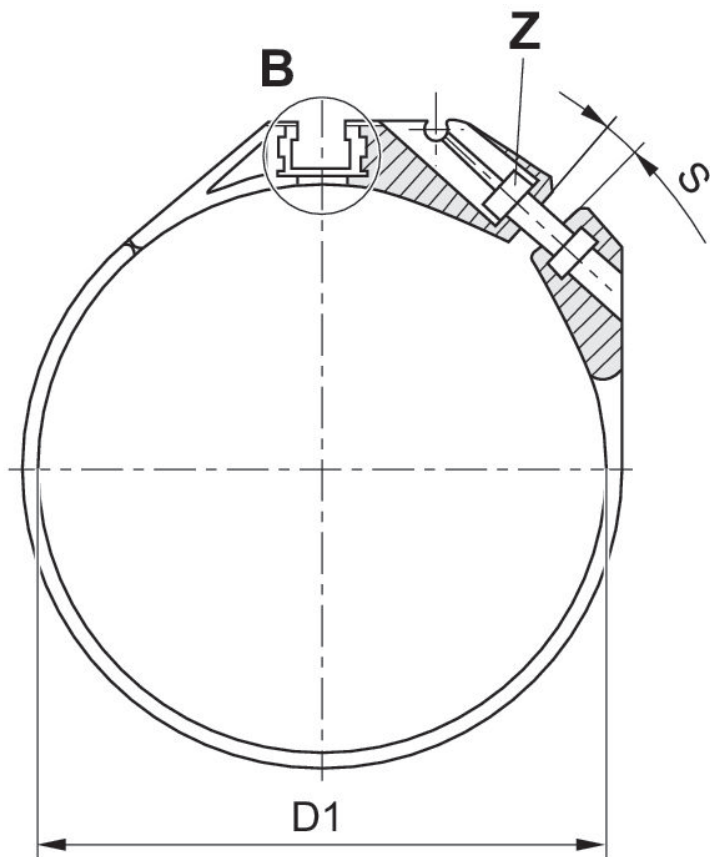


## Technical data

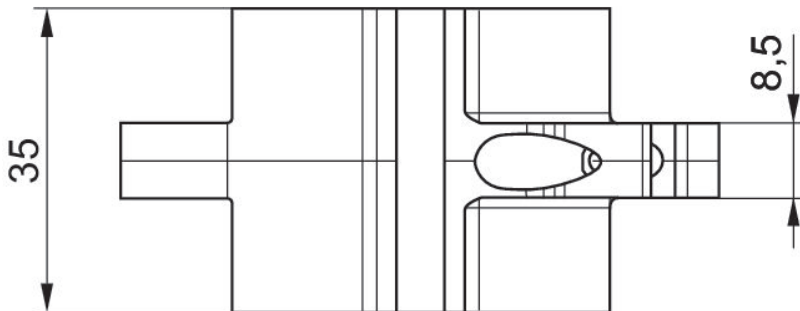
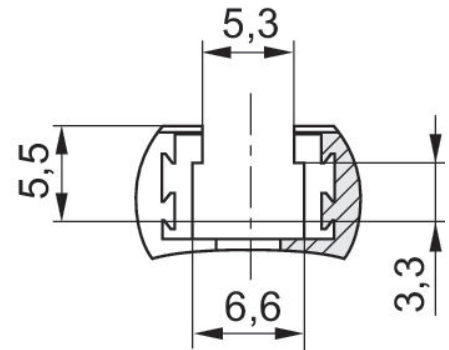
|                  |            |
|------------------|------------|
| Industry         | Industrial |
| For series       | RPC        |
| Cylinders Ø min. | 63 mm      |
| Cylinders Ø max. | 63 mm      |
| Weight           | 0.014 kg   |

## Material

|                  |                              |
|------------------|------------------------------|
| Housing material | Polyoxymethylene<br>Aluminum |
| Part No.         | R412025668                   |



**B 2 : 1**



| Part No.   | D1   | S  | Z                     |
|------------|------|----|-----------------------|
| R412025665 | 34   | 35 | ISO 4762 - M3 x 10 A2 |
| R412025666 | 42   | 43 | ISO 4762 - M3 x 12 A2 |
| R412025667 | 52,9 | 54 | ISO 4762 - M3 x 12 A2 |
| R412025668 | 65   | 66 | ISO 4762 - M3 x 12 A2 |

S = recommended max. spread width [mm]