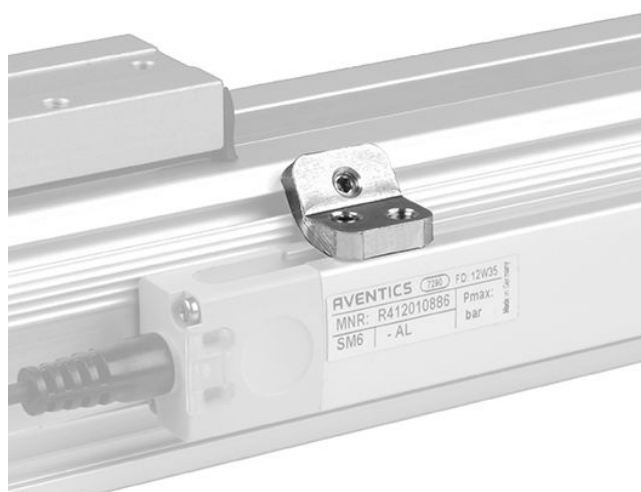


Sensor mounting, Series CB1

R412022298

General series information
AVENTICS Sensor mountings

- AVENTICS Sensors mountings are especially designed to mount AVENTICS sensors on various cylinders.



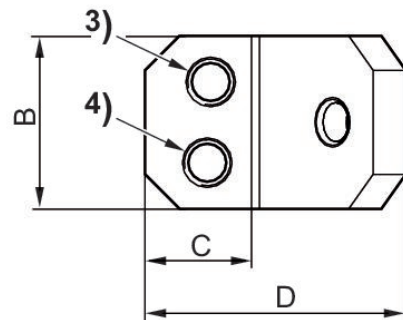
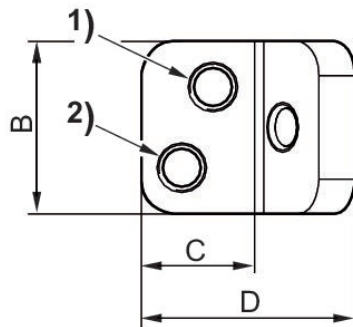
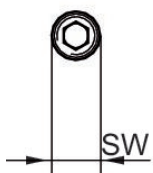
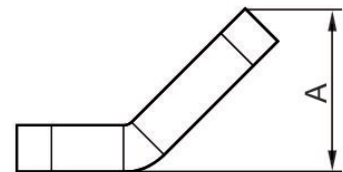
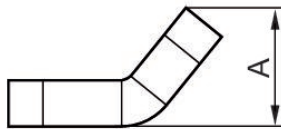
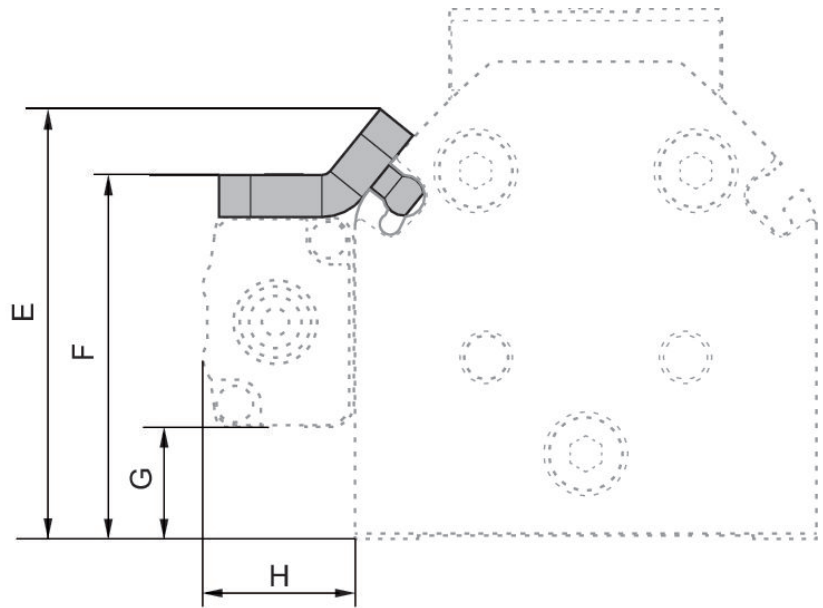
Technical data

Industry	Industrial
For series	SM6-AL
For series	RTC
Scope of delivery	1 piece
Weight	0.007 kg

Material

Housing material	Aluminum
Part No.	R412022298

Dimensions



* Threaded pin (brass)
2 clamp mounting sets for SM6-AL 109 - 469 mm 3 clamp mounting sets for SM6-AL 505 - 793 mm 4 clamp mounting sets for SM6-AL 829 - 1009 mm

Piston Ø	Note	A	B	C	D	E	F	G	H
25	1)	10.3	15	9.8	18.5	41	34.7	10.7	14.4
32	2)	10.3	15	9.8	18.5	46.7	40.4	16.4	14.4
40	3)	14.2	15	9.2	22.6	55	45.2	21.1	14.4
50	4)	14.2	15	9.2	22.6	60.6	50.5	26.5	14.4

Piston Ø	SW
25	2
32	2
40	2
50	2