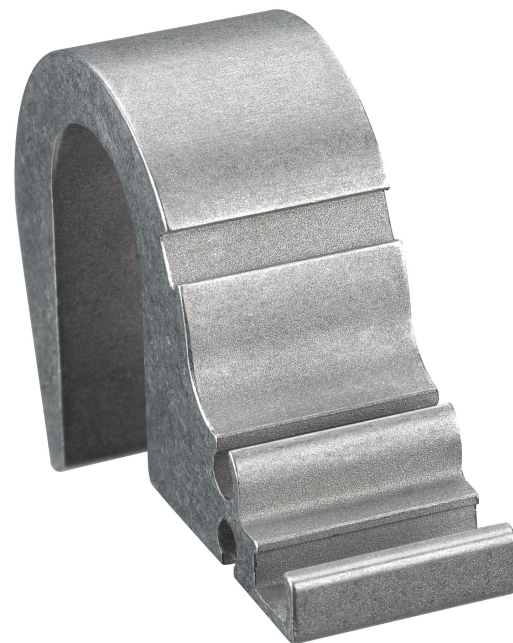


# Sensor mounting, Series CB1

1827020292

General series information  
AVENTICS Sensor mountings

- AVENTICS Sensors mountings are especially designed to mount AVENTICS sensors on various cylinders.



## Technical data

Industry  
For series

Industrial  
TRB  
C12P  
CVI  
523

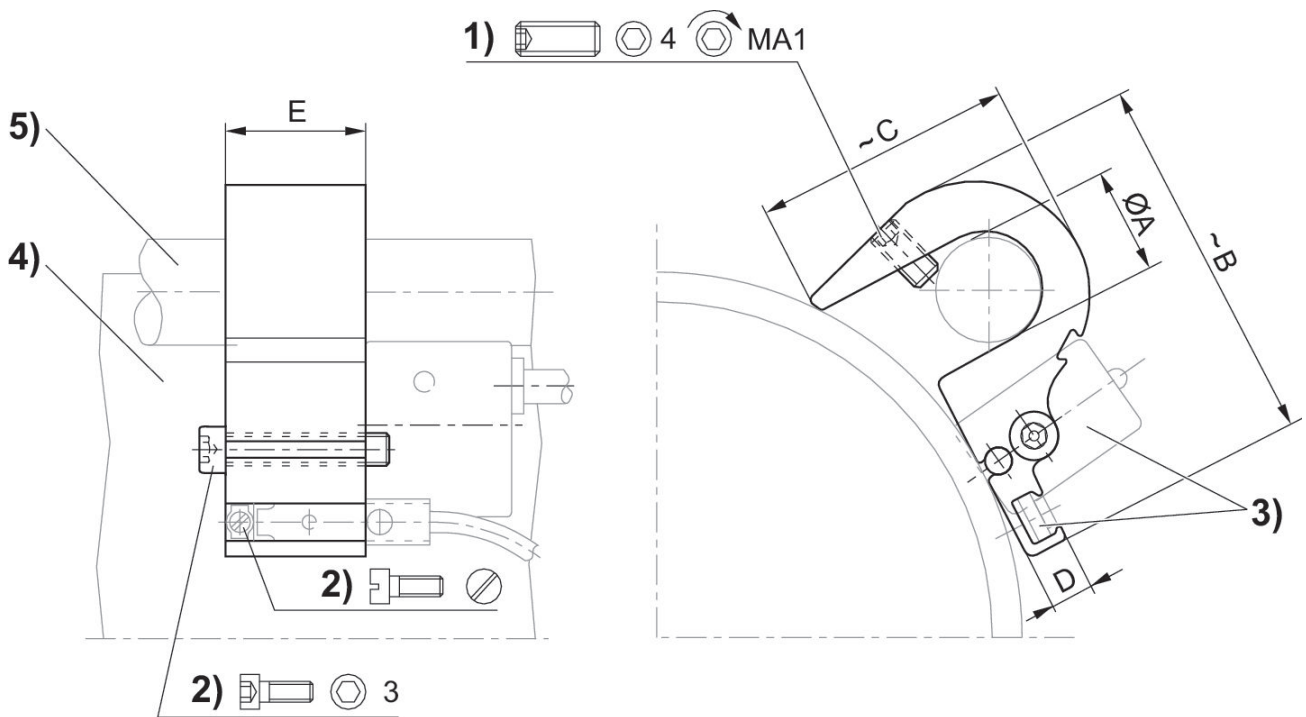
Cylinders Ø min.  
Cylinders Ø max.  
Weight

125 mm  
125 mm  
0.031 kg

## Material

Housing material  
Part No.

Aluminum  
1827020292



1) Clamping threaded pin 2) Mounting screw for sensor 3) Sensor 4) Cylinder profile 5) Tie rod

Part No.	Cylinders Ø	Ø A	B	C	D	E	Clamping threaded pin	MA1 [Nm]
1827020292	125 mm	12	45	29	6.5	21	M5x10	2