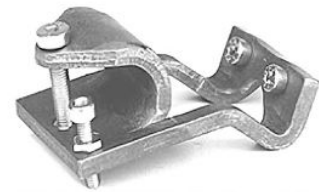


# Sensor mounting, Series CB1

1827020077

General series information  
AVENTICS Sensor mountings

- AVENTICS Sensors mountings are especially designed to mount AVENTICS sensors on various cylinders.

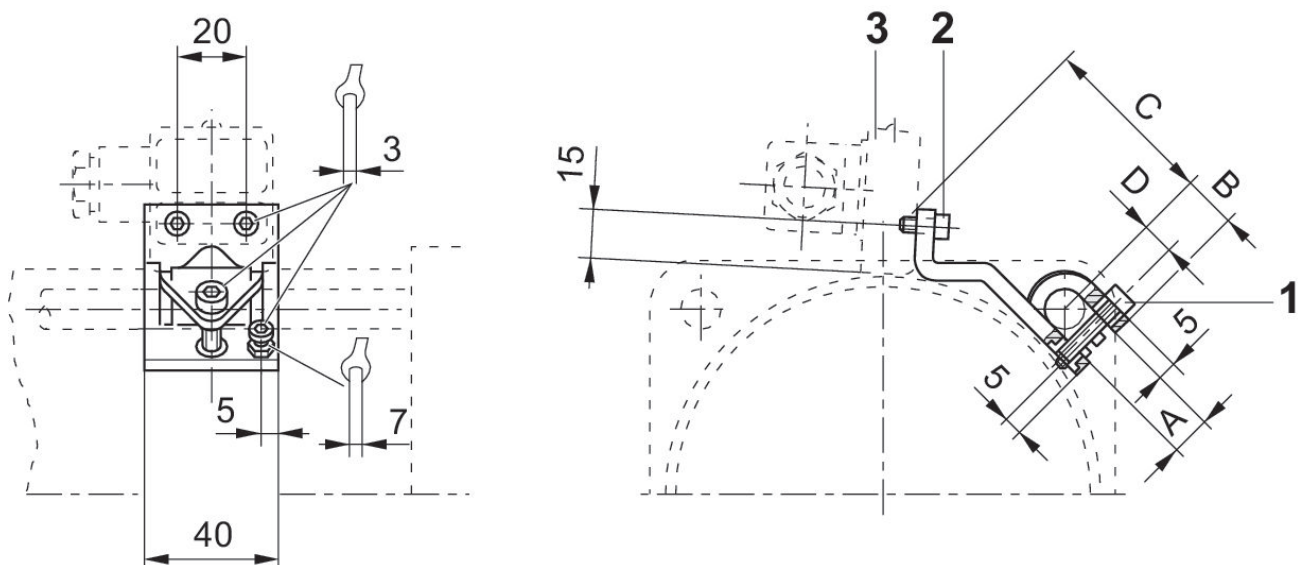


## Technical data

|                  |            |
|------------------|------------|
| Industry         | Industrial |
| For series       | TRB<br>ITS |
| Cylinders Ø min. | 160 mm     |
| Cylinders Ø max. | 200 mm     |
| Weight           | 0.083 kg   |

## Material

|                  |            |
|------------------|------------|
| Housing material | Aluminum   |
| Part No.         | 1827020077 |



1) Mounting screw 2) Mounting screw for sensor 3) Sensor

| Part No.   | A +0,5 | B ±1 | C ±2 | D  |
|------------|--------|------|------|----|
| 1827020076 | 12     | 15   | 54   | 9  |
| 1827020077 | 16     | 17   | 53   | 11 |
| 1827020078 | 20     | 19   | 60   | 13 |