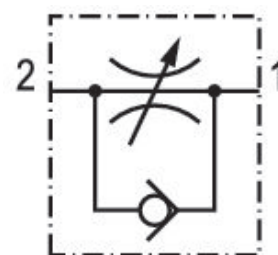


Check-choke valve, Series CC02-AL

0821200207

General series information
AVENTICS Series CC02 Check-choke valves

- The AVENTICS Series CC check-choke valves are designed for nominal flows from 50 to 1960 l/min. The different versions are available with a push-in fitting or internal thread.



Technical data

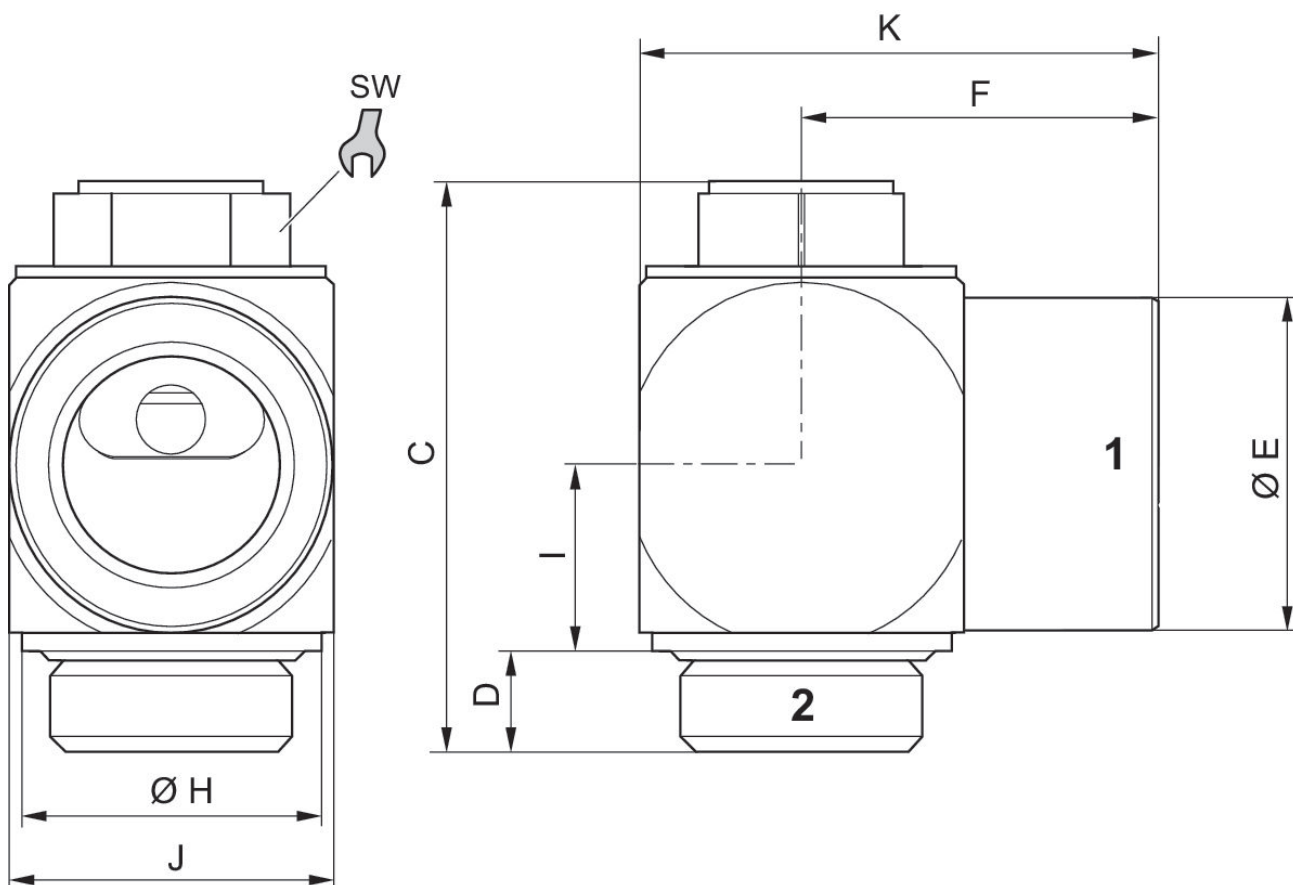
Industry	Industrial
Port 1	G 1/2
Port 2	G 1/2
Throttle bore Ø	10 mm
direction of throttle	2 > 1
Nominal flow Qn 2 to 1	2691 l/min
Compressed air connection type 1	Internal thread
Compressed air connection type 2	External thread
Throttle	Exhaust Air Throttling
Medium	Compressed air
Working pressure min.	0.5 bar
Working pressure max	10 bar
Min. ambient temperature	-10 °C

Max. ambient temperature 70 °C
 Min. medium temperature -10 °C
 Max. medium temperature 70 °C

Material

Housing material Aluminum, anodized
 Material flow control screw Brass
 Seal material Acrylonitrile butadiene rubber
 Part No. 0821200207

Dimensions



Part No.	Port 1	Port 2	C	D	$\varnothing E$	F	$\varnothing H$	I	J
R412004833	M5	M5	21.8	4.1	8	10	8.5	5.8	9
0821200204	G 1/8	G 1/8	28.5	5.3	13	16.5	14	7.9	15
0821200205	G 1/4	G 1/4	33.6	6.2	16	18	17	9.5	19
0821200206	G 3/8	G 3/8	41	7.2	22	26	22	13.3	24
0821200207	G 1/2	G 1/2	47.8	8.5	28	31	26	15.7	28

Part No.	K	SW
R412004833	15	7
0821200204	23.5	10
0821200205	28	13
0821200206	38	16
0821200207	45	18