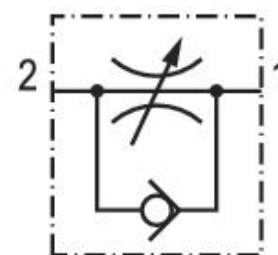


# Check-choke valve, Series CC02-AL

## R412007614

General series information  
AVENTICS Series CC02 Check-choke valves

- The AVENTICS Series CC check-choke valves are designed for nominal flows from 50 to 1960 l/min. The different versions are available with a push-in fitting or internal thread.



### Technical data

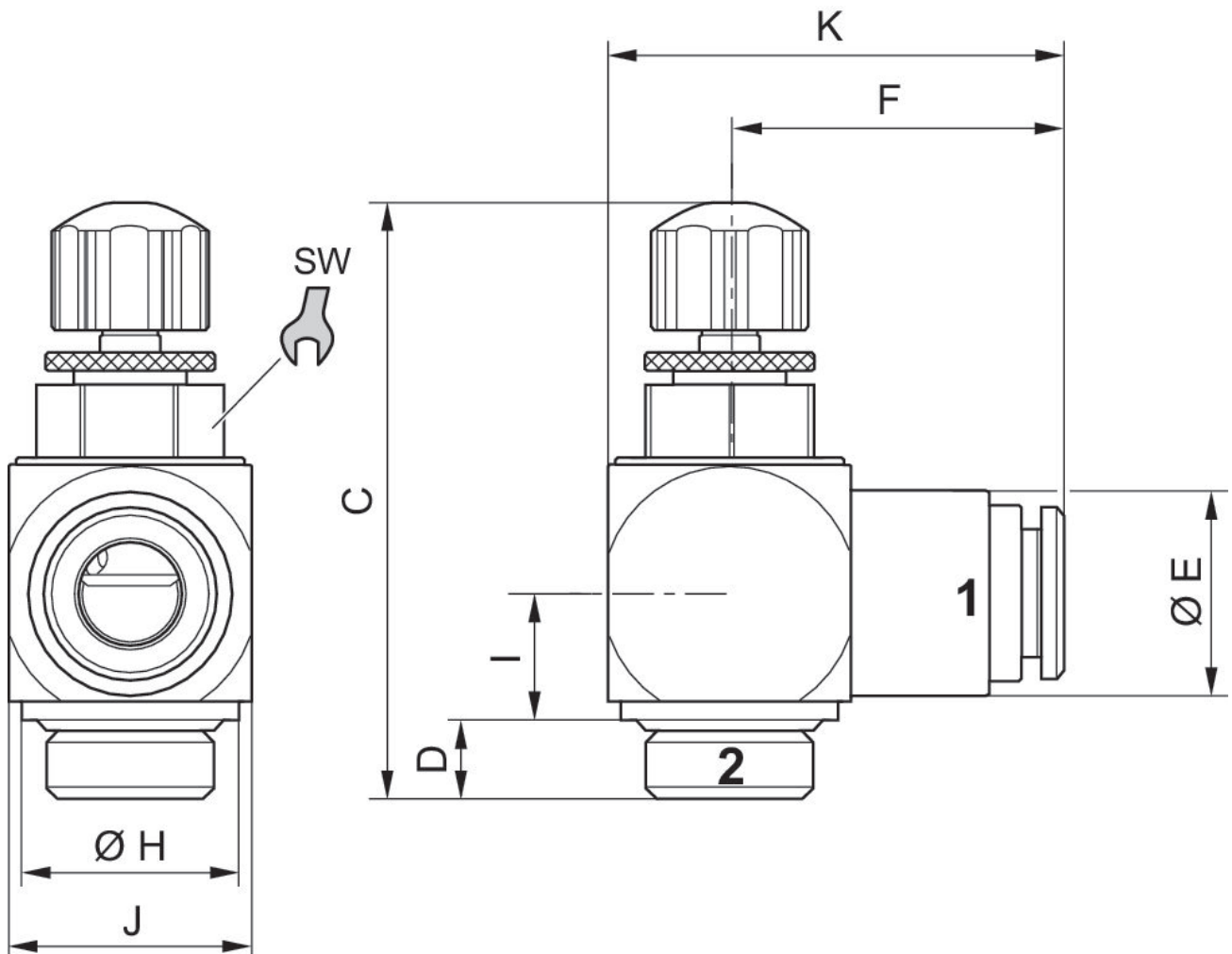
Industry	Industrial
Port 1	Ø 8
Port 2	G 1/4
Throttle bore Ø	4.5 mm
direction of throttle	2 > 1
Nominal flow Qn 2 to 1	540 l/min
Compressed air connection type 1	push-in fitting
Compressed air connection type 2	External thread
Throttle	Exhaust Air Throttling
Medium	Compressed air
Working pressure min.	0.5 bar
Working pressure max	10 bar
Min. ambient temperature	-10 °C

Max. ambient temperature 70 °C  
 Min. medium temperature -10 °C  
 Max. medium temperature 70 °C

### Material

Housing material Aluminum, anodized  
 Material flow control screw Brass  
 Seal material Acrylonitrile butadiene rubber  
 Part No. R412007614

### Dimensions



Part No.	Port 1	Port 2	C	D	ØE	F	ØH	I	J
R412007688	Ø 6	G 1/8	41.2	5.1	13	23.3	14	8	15

Part No.	Port 1	Port 2	C	D	ØE	F	ØH	I	J
R412007689	Ø 6	G 1/4	41.2	5.1	13.8	24.3	14	8	15
R412007664	Ø 8	G 1/8	46.9	6.2	16	25.3	17	9.8	19
R412007614	Ø 8	G 1/4	46.9	6.2	16	26.2	17	9.8	19

Part No.	K	SW
R412007688	30.2	10
R412007689	31.2	10
R412007664	35.3	13
R412007614	35.7	13