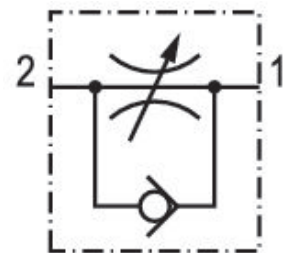


Check-choke valve, Series CC02-AL

0821200241

General series information
AVENTICS Series CC02 Check-choke valves

- The AVENTICS Series CC check-choke valves are designed for nominal flows from 50 to 1960 l/min. The different versions are available with a push-in fitting or internal thread.



Technical data

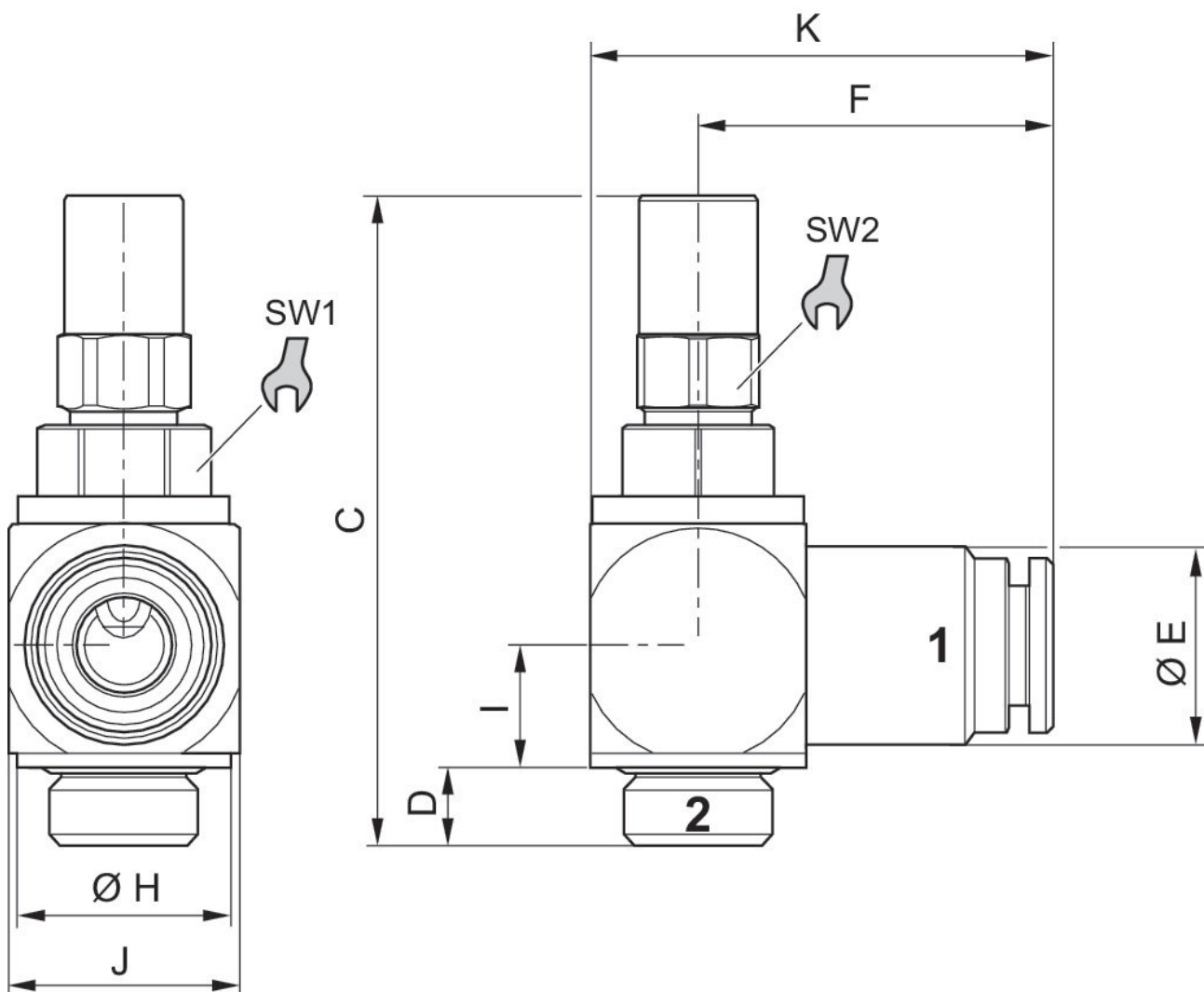
| | |
|----------------------------------|------------------------|
| Industry | Industrial |
| Port 1 | Ø 4 |
| Port 2 | G 1/8 |
| Throttle bore Ø | 3.5 mm |
| direction of throttle | 2 > 1 |
| Nominal flow Qn 2 to 1 | 360 l/min |
| Compressed air connection type 1 | push-in fitting |
| Compressed air connection type 2 | External thread |
| Throttle | Exhaust Air Throttling |
| Medium | Compressed air |
| Working pressure min. | 0.5 bar |
| Working pressure max | 10 bar |
| Min. ambient temperature | -10 °C |

| | |
|--------------------------|--------|
| Max. ambient temperature | 70 °C |
| Min. medium temperature | -10 °C |
| Max. medium temperature | 70 °C |

Material

| | |
|-----------------------------|--------------------------------|
| Housing material | Aluminum, anodized |
| Material flow control screw | Brass |
| Seal material | Acrylonitrile butadiene rubber |
| Part No. | 0821200241 |

Dimensions



| Part No. | Port 1 | Port 2 | C | D | ØE | F | ØH | I | J |
|------------|--------|--------|------|-----|----|------|----|-----|----|
| 0821200241 | Ø 4 | G 1/8 | 42.5 | 5.1 | 12 | 20.8 | 14 | 8 | 15 |
| 0821200243 | Ø 6 | G 1/8 | 42.5 | 5.1 | 13 | 23.3 | 14 | 8 | 15 |
| 0821200245 | Ø 6 | G 1/4 | 47.6 | 6.4 | 16 | 25.8 | 17 | 9.8 | 19 |

| Part No. | K | SW1 | SW2 |
|------------|------|-----|-----|
| 0821200241 | 27.8 | 10 | 8 |
| 0821200243 | 30.3 | 10 | 8 |
| 0821200245 | 35.3 | 13 | 8 |