

Check-choke valve, Series CC02-AL-HNBR

R412026729

General series information
AVENTICS Series CC02 Check-choke valves

- The AVENTICS Series CC check-choke valves are designed for nominal flows from 50 to 1960 l/min. The different versions are available with a push-in fitting or internal thread.



Technical data

Industry

Port 1

Port 2

Throttle bore Ø

direction of throttle

Nominal flow Q_n 1 to 2

Compressed air connection type 1

Compressed air connection type 2

Note

Throttle

Medium

Working pressure min.

Industrial

Ø 6

G 1/8

3.5 mm

1 > 2

360 l/min

push-in fitting

External thread

Seal: Hydrogenated nitrile butadiene rubber
ozone-resistant

Inlet-Side Throttling

Compressed air

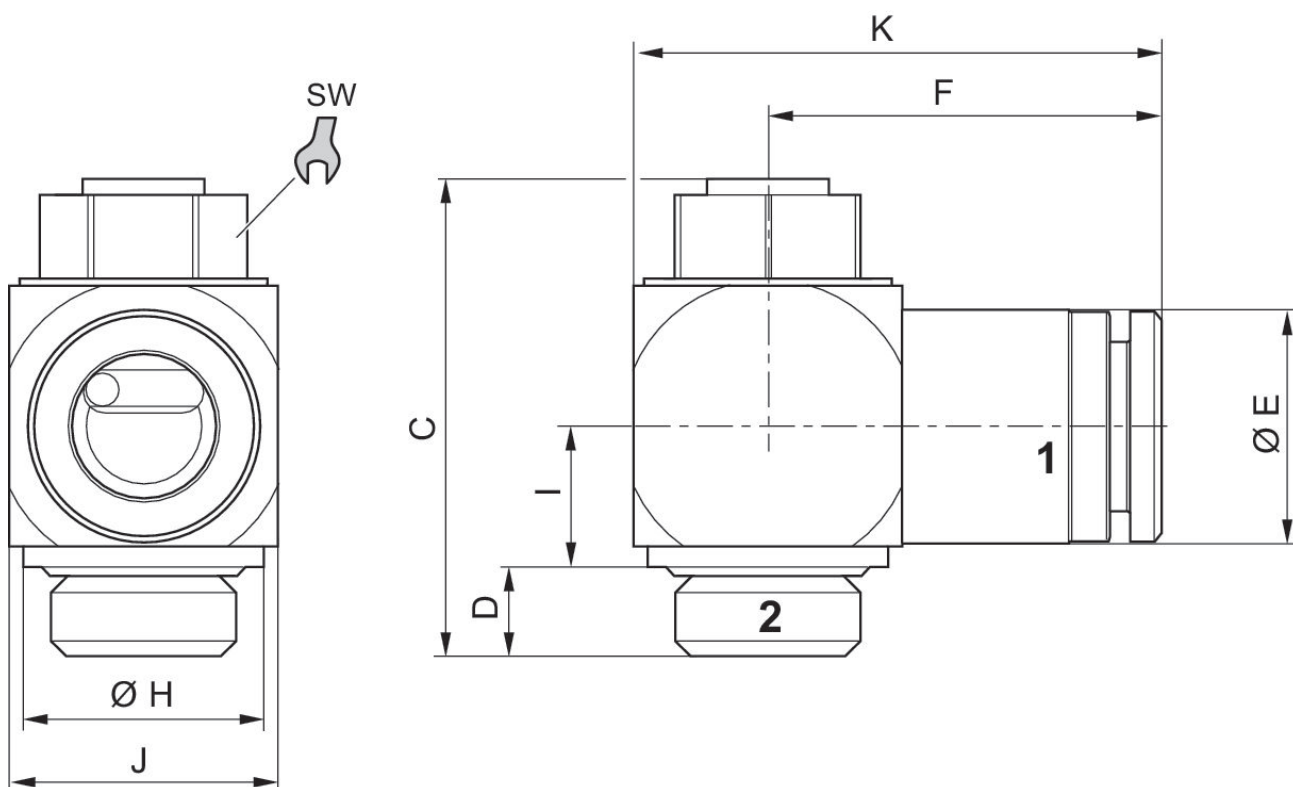
0.5 bar

Working pressure max	10 bar
Min. ambient temperature	-10 °C
Max. ambient temperature	80 °C
Min. medium temperature	-10 °C
Max. medium temperature	80 °C

Material

Housing material	Aluminum, anodized
Seal material	Hydrogenated nitrile butadiene rubber
Material flow control screw	Brass
Part No.	R412026729

Dimensions



Part No.	Port 1	Port 2	C	D	ØE	F	ØH	I	J
R412026728	Ø 4	M5	21.8	3.9	9	16.9	8.5	6.3	10.5
R412026729	Ø 6	G 1/8	28.5	5.1	13	23.3	14	8	15

Part No.	K	SW
R412026728	21.7	7

Part No.	K	SW
R412026729	30.3	10