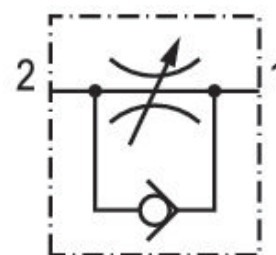


Check-choke valve, Series CC02-AL-HNBR

R412026733

General series information
AVENTICS Series CC02 Check-choke valves

- The AVENTICS Series CC check-choke valves are designed for nominal flows from 50 to 1960 l/min. The different versions are available with a push-in fitting or internal thread.



Technical data

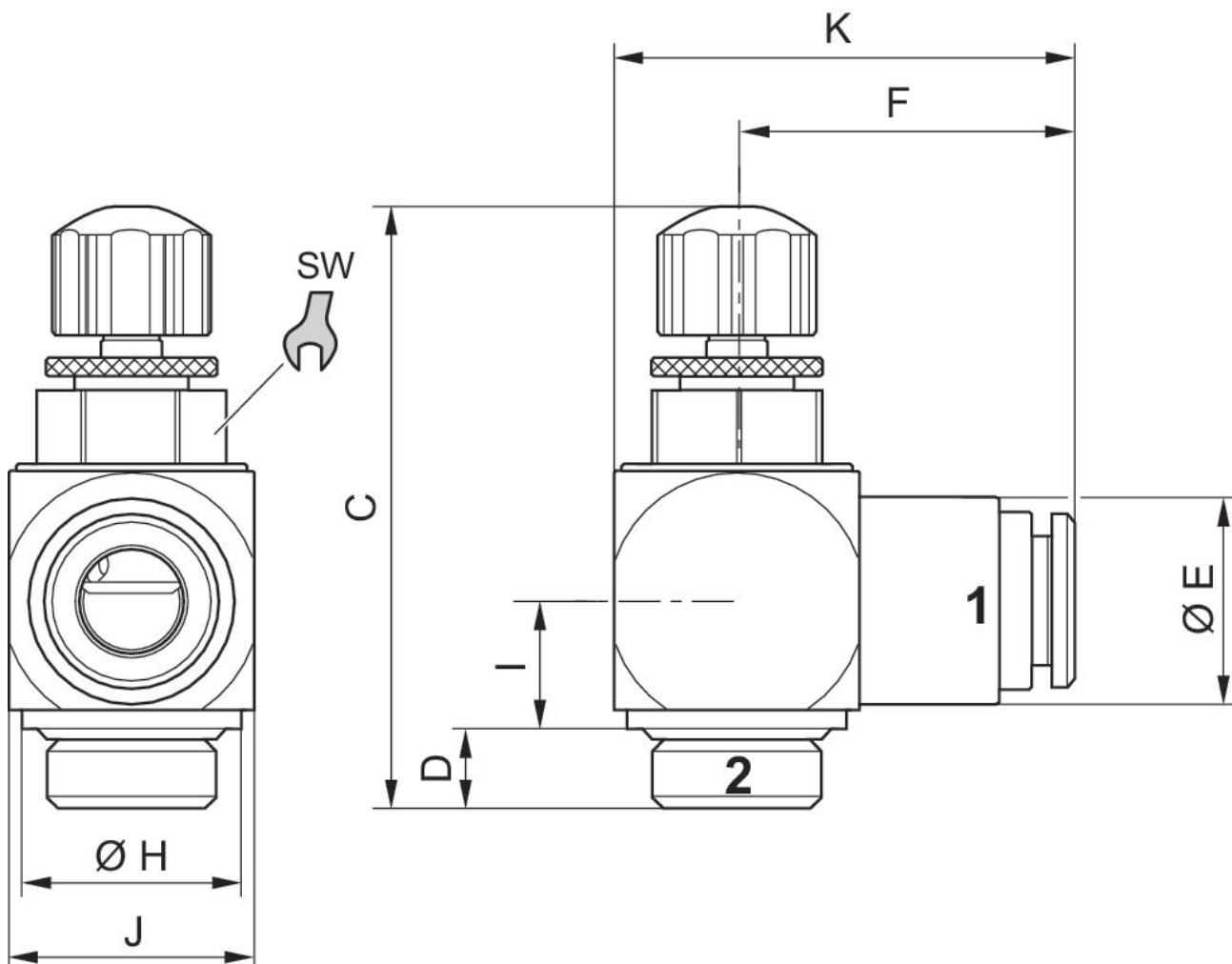
Industry	Industrial
Port 1	Ø 6
Port 2	G 1/8
Throttle bore Ø	3.5 mm
direction of throttle	2 > 1
Nominal flow Q _n 2 to 1	284 l/min
Compressed air connection type 1	push-in fitting
Compressed air connection type 2	External thread
Note	Seal: Hydrogenated nitrile butadiene rubber ozone-resistant
Throttle	Exhaust Air Throttling
Medium	Compressed air
Working pressure min.	0.5 bar

Working pressure max	10 bar
Min. ambient temperature	-10 °C
Max. ambient temperature	80 °C
Min. medium temperature	-10 °C
Max. medium temperature	80 °C

Material

Housing material	Aluminum, anodized
Material flow control screw	Brass
Seal material	Hydrogenated nitrile butadiene rubber
Part No.	R412026733

Dimensions



Part No.	Port 1	Port 2	C	D	ØE	F	ØH	I	J
R412026733	Ø 6	G 1/8	41.2	5.1	13	23.3	14	8	15

Part No.	K	SW
R412026733	30.2	10