

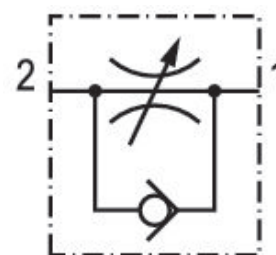
# Check-choke valve, Series CC02-AL

R412007689

## General series information

AVENTICS Series CC02 Check-choke valves

- The AVENTICS Series CC check-choke valves are designed for nominal flows from 50 to 1960 l/min. The different versions are available with a push-in fitting or internal thread.



## Technical data

Industry

Industrial

Port 1

Ø 8

Port 2

G 1/8

Throttle bore Ø

3.5 mm

direction of throttle

2 > 1

Nominal flow Q<sub>n</sub> 2 to 1

360 l/min

Compressed air connection type 1

push-in fitting

Compressed air connection type 2

External thread

Throttle

Exhaust Air Throttling

Medium

Compressed air

Working pressure min.

0.5 bar

Working pressure max

10 bar

Min. ambient temperature

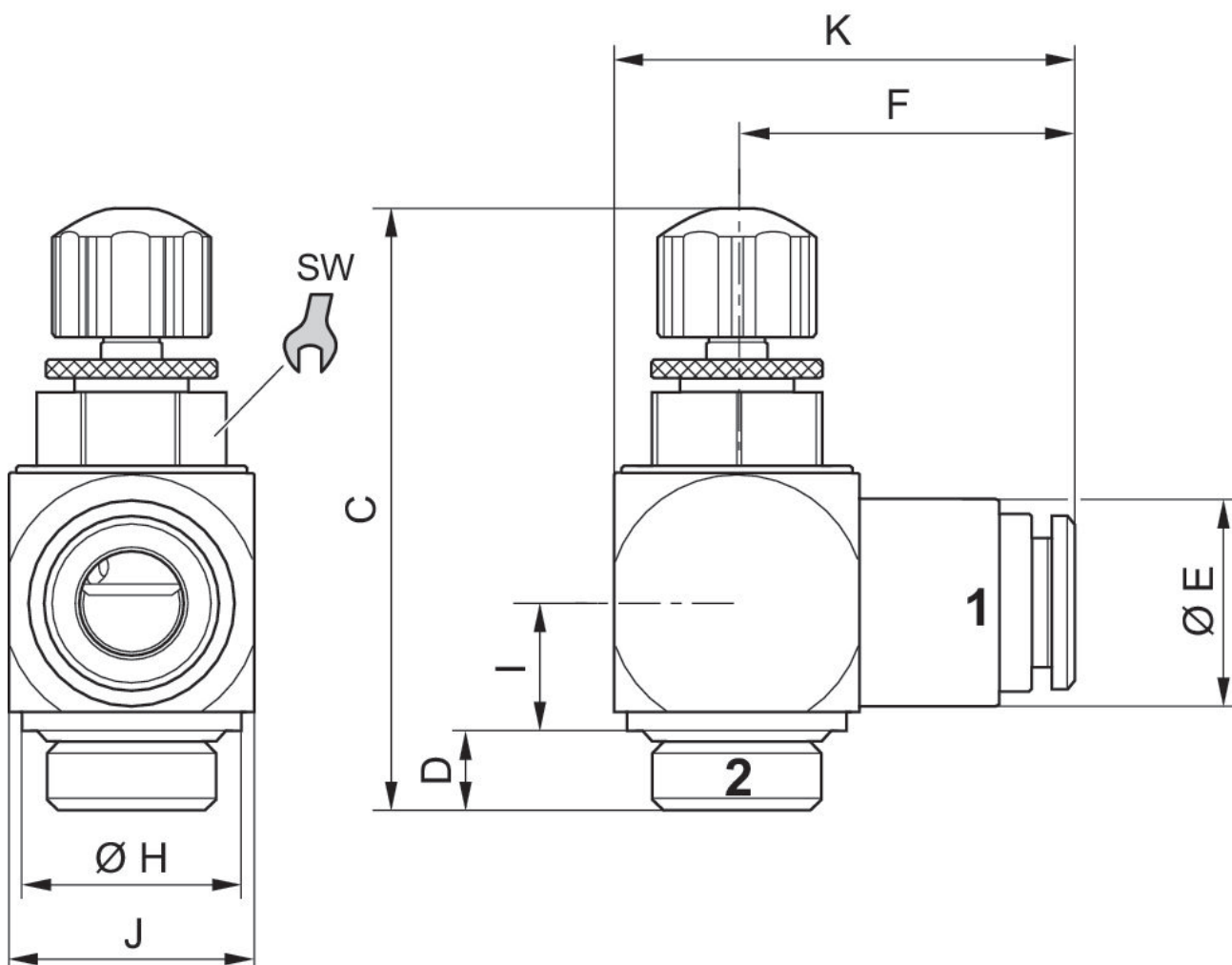
-10 °C

Max. ambient temperature 70 °C  
 Min. medium temperature -10 °C  
 Max. medium temperature 70 °C

### Material

Housing material Aluminum, anodized  
 Material flow control screw Brass  
 Seal material Acrylonitrile butadiene rubber  
 Part No. R412007689

### Dimensions



Part No.	Port 1	Port 2	C	D	$\varnothing E$	F	$\varnothing H$	I	J
R412007688	$\varnothing 6$	G 1/8	41.2	5.1	13	23.3	14	8	15

Part No.	Port 1	Port 2	C	D	ØE	F	ØH	I	J
R412007689	Ø 6	G 1/4	41.2	5.1	13.8	24.3	14	8	15
R412007664	Ø 8	G 1/8	46.9	6.2	16	25.3	17	9.8	19
R412007614	Ø 8	G 1/4	46.9	6.2	16	26.2	17	9.8	19

Part No.	K	SW
R412007688	30.2	10
R412007689	31.2	10
R412007664	35.3	13
R412007614	35.7	13