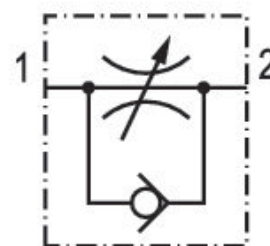


# Check-choke valve, Series CC02-AL

0821200201

General series information  
AVENTICS Series CC02 Check-choke valves

- The AVENTICS Series CC check-choke valves are designed for nominal flows from 50 to 1960 l/min. The different versions are available with a push-in fitting or internal thread.



## Technical data

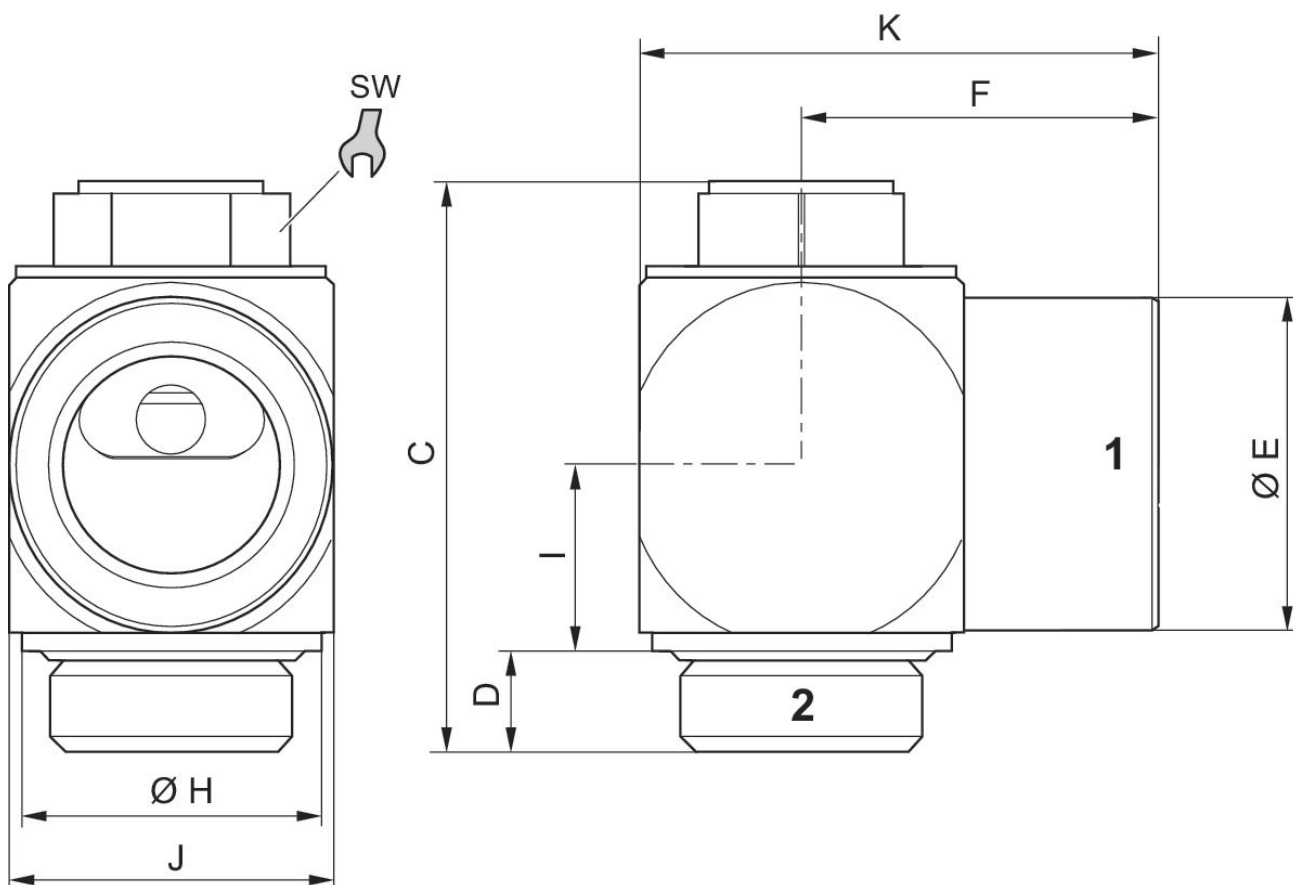
Industry	Industrial
Port 1	G 1/8
Port 2	G 1/8
Throttle bore Ø	3.5 mm
direction of throttle	1 > 2
Nominal flow Qn 1 to 2	360 l/min
Compressed air connection type 1	Internal thread
Compressed air connection type 2	External thread
Throttle	Inlet-Side Throttling
Medium	Compressed air
Working pressure min.	0.5 bar
Working pressure max	10 bar
Min. ambient temperature	-10 °C

Max. ambient temperature 70 °C  
 Min. medium temperature -10 °C  
 Max. medium temperature 70 °C

### Material

Housing material Aluminum, anodized  
 Material flow control screw Brass  
 Seal material Acrylonitrile butadiene rubber  
 Part No. 0821200201

### Dimensions



Part No.	Port 1	Port 2	C	D	$\varnothing E$	F	$\varnothing H$	I	J
R412004836	M5	M5	21.8	4.1	8	10	8.5	5.8	9
0821200201	G 1/8	G 1/8	28.5	5.3	13	16.5	14	7.9	15
0821200202	G 1/4	G 1/4	33.6	6.2	16	18	17	9.5	19

Part No.	K	SW
R412004836	15	7
0821200201	23.5	10
0821200202	28	13