

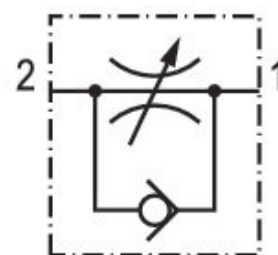
Check-choke valve, Series CC02-AL

0821200204

General series information

AVENTICS Series CC02 Check-choke valves

- The AVENTICS Series CC check-choke valves are designed for nominal flows from 50 to 1960 l/min. The different versions are available with a push-in fitting or internal thread.



Technical data

Industry

Industrial

Port 1

G 1/8

Port 2

G 1/8

Throttle bore \varnothing

3.5 mm

direction of throttle

2 > 1

Nominal flow Q_n 2 to 1

363 l/min

Compressed air connection type 1

Internal thread

Compressed air connection type 2

External thread

Throttle

Exhaust Air Throttling

Medium

Compressed air

Working pressure min.

0.5 bar

Working pressure max

10 bar

Min. ambient temperature

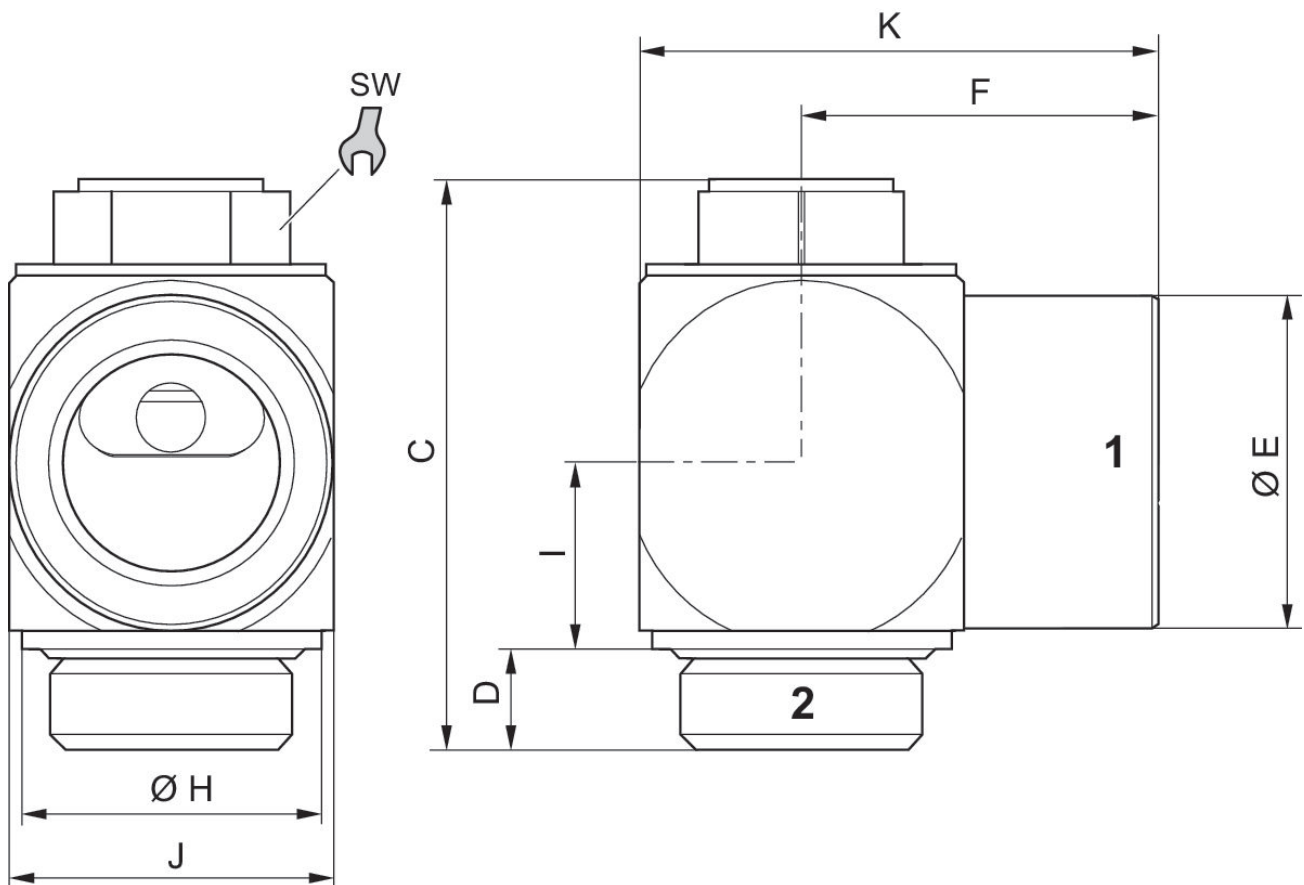
-10 °C

Max. ambient temperature 70 °C
 Min. medium temperature -10 °C
 Max. medium temperature 70 °C

Material

Housing material Aluminum, anodized
 Material flow control screw Brass
 Seal material Acrylonitrile butadiene rubber
 Part No. 0821200204

Dimensions



Part No.	Port 1	Port 2	C	D	$\varnothing E$	F	$\varnothing H$	I	J
R412004833	M5	M5	21.8	4.1	8	10	8.5	5.8	9
0821200204	G 1/8	G 1/8	28.5	5.3	13	16.5	14	7.9	15
0821200205	G 1/4	G 1/4	33.6	6.2	16	18	17	9.5	19
0821200206	G 3/8	G 3/8	41	7.2	22	26	22	13.3	24
0821200207	G 1/2	G 1/2	47.8	8.5	28	31	26	15.7	28

Part No.	K	SW
R412004833	15	7
0821200204	23.5	10
0821200205	28	13
0821200206	38	16
0821200207	45	18