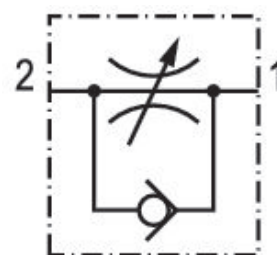


Check-choke valve, Series CC02-AL-HNBR

R412026731

General series information
AVENTICS Series CC02 Check-choke valves

- The AVENTICS Series CC check-choke valves are designed for nominal flows from 50 to 1960 l/min. The different versions are available with a push-in fitting or internal thread.



Technical data

Industry

Port 1

Port 2

Throttle bore Ø

direction of throttle

Nominal flow Q_n 2 to 1

Compressed air connection type 1

Compressed air connection type 2

Note

Throttle

Medium

Working pressure min.

Industrial

G 1/8

G 1/8

3.5 mm

2 > 1

363 l/min

Internal thread

External thread

Seal: Hydrogenated nitrile butadiene rubber
ozone-resistant

Exhaust Air Throttling

Compressed air

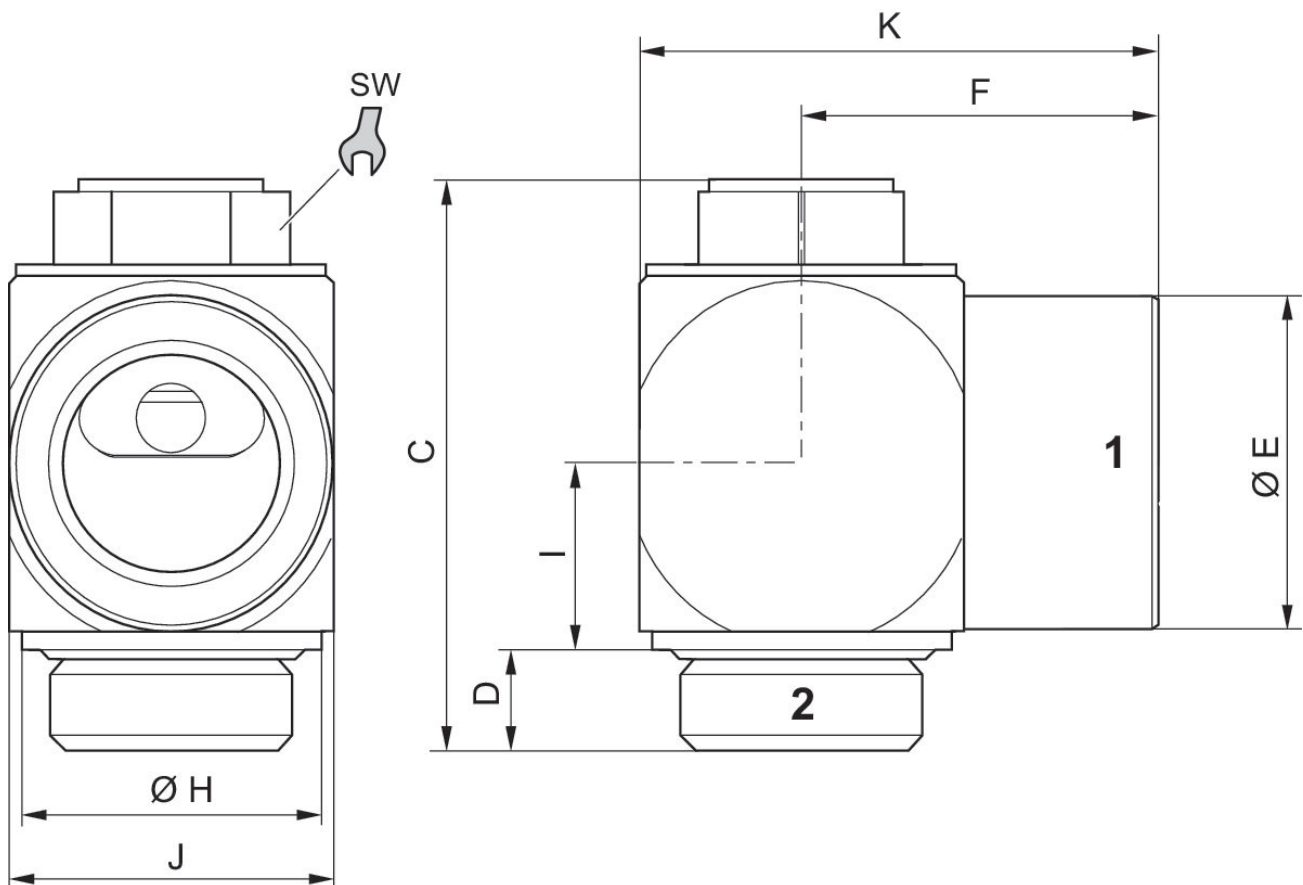
0.5 bar

Working pressure max	10 bar
Min. ambient temperature	-10 °C
Max. ambient temperature	80 °C
Min. medium temperature	-10 °C
Max. medium temperature	80 °C

Material

Housing material	Aluminum, anodized
Material flow control screw	Brass
Seal material	Hydrogenated nitrile butadiene rubber
Part No.	R412026731

Dimensions



Part No.	Port 1	Port 2	C	D	ØE	F	ØH	I	J
R412026731	G 1/8	G 1/8	28.5	5.3	13	13	16.5	7.9	9

Part No.	K	SW
R412026731	15	10