

Check-choke valve, Series CC02-AL

R412027119

General series information
AVENTICS Series CC02 Check-choke valves

- The AVENTICS Series CC check-choke valves are designed for nominal flows from 50 to 1960 l/min. The different versions are available with a push-in fitting or internal thread.



Technical data

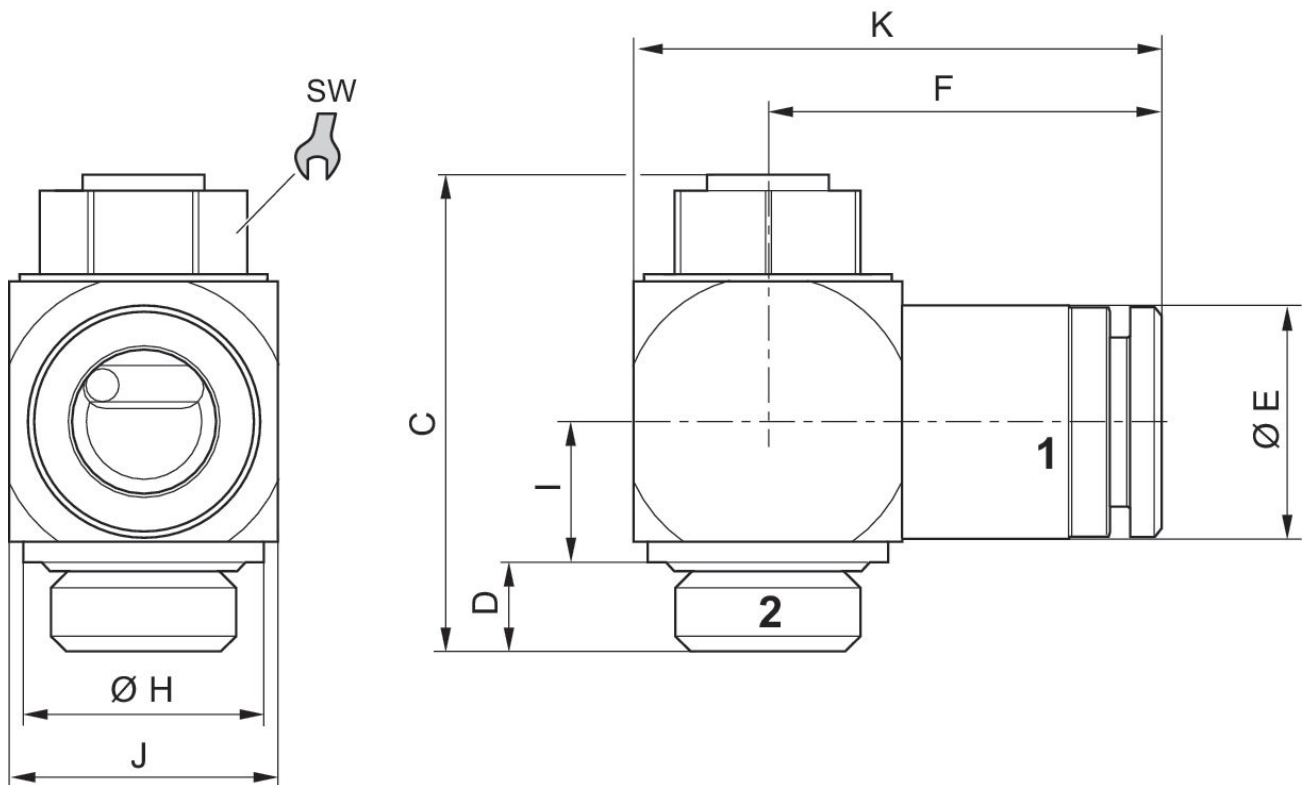
| | |
|------------------------------------|-----------------------|
| Industry | Industrial |
| Port 1 | Ø 4 |
| Port 2 | M5 |
| Throttle bore Ø | 3.5 mm |
| direction of throttle | 1 > 2 |
| Nominal flow Q _n 1 to 2 | 70 l/min |
| Compressed air connection type 1 | push-in fitting |
| Compressed air connection type 2 | External thread |
| Throttle | Inlet-Side Throttling |
| Medium | Compressed air |
| Working pressure min. | 0.5 bar |
| Working pressure max | 10 bar |
| Min. ambient temperature | -10 °C |

Max. ambient temperature 70 °C
 Min. medium temperature -10 °C
 Max. medium temperature 70 °C

Material

Housing material Aluminum, anodized
 Material flow control screw Brass
 Seal material Acrylonitrile butadiene rubber
 Part No. R412027119

Dimensions



| Part No. | Port 1 | Port 2 | C | D | ØE | F | ØH | I | J |
|------------|--------|--------|------|-----|-------|------|-----|------|------|
| R412027120 | Ø 4 | M5 | 21.8 | 3.9 | 10.45 | 16.9 | 8.5 | 6.3 | 10.5 |
| R412004995 | Ø 6 | M5 | 21.8 | 3.9 | 10.45 | 16.9 | 8.5 | 6.3 | 10.5 |
| 0821200242 | Ø 6 | G 1/8 | 28.5 | 5.1 | 13 | 23.3 | 14 | 8 | 15 |
| 0821200246 | Ø 6 | G 1/4 | 33.6 | 6.2 | 16 | 25.8 | 17 | 9.8 | 19 |
| 0821200244 | Ø 8 | G 1/8 | 28.5 | 5.1 | 13.8 | 24.3 | 14 | 8 | 15 |
| 0821200247 | Ø 8 | G 1/4 | 33.6 | 6.2 | 16 | 26.2 | 17 | 9.8 | 19 |
| 0821200248 | Ø 8 | G 3/8 | 41 | 7.2 | 16 | 30.2 | 22 | 13.3 | 24 |

| Part No. | Port 1 | Port 2 | C | D | ØE | F | ØH | I | J |
|------------|--------|--------|------|-----|----|------|----|------|----|
| 0821200253 | Ø 10 | G 1/4 | 33.6 | 6.2 | 16 | 27.9 | 17 | 9.8 | 19 |
| 0821200249 | Ø 10 | G 3/8 | 41 | 7.2 | 19 | 30.9 | 22 | 13.3 | 24 |
| R412007432 | Ø 12 | G 3/8 | 41 | 7.2 | 22 | 33 | 22 | 13.3 | 24 |

| Part No. | K | SW |
|------------|------|----|
| R412027120 | 21.7 | 7 |
| R412004995 | 21.7 | 7 |
| 0821200242 | 30.3 | 10 |
| 0821200246 | 35.3 | 13 |
| 0821200244 | 31.2 | 10 |
| 0821200247 | 35.7 | 13 |
| 0821200248 | 42.7 | 16 |
| 0821200253 | 37.4 | 13 |
| 0821200249 | 43.4 | 16 |
| R412007432 | 45.5 | 16 |