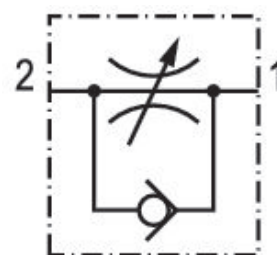


Check-choke valve, Series CC02-AL-HNBR

R412026724

General series information
AVENTICS Series CC02 Check-choke valves

- The AVENTICS Series CC check-choke valves are designed for nominal flows from 50 to 1960 l/min. The different versions are available with a push-in fitting or internal thread.



Technical data

Industry

Port 1

Port 2

Throttle bore Ø

direction of throttle

Nominal flow Q_n 2 to 1

Compressed air connection type 1

Compressed air connection type 2

Note

Throttle

Medium

Working pressure min.

Industrial

Ø 4

M5

2 mm

2 > 1

70 l/min

push-in fitting

External thread

Seal: Hydrogenated nitrile butadiene rubber
ozone-resistant

Exhaust Air Throttling

Compressed air

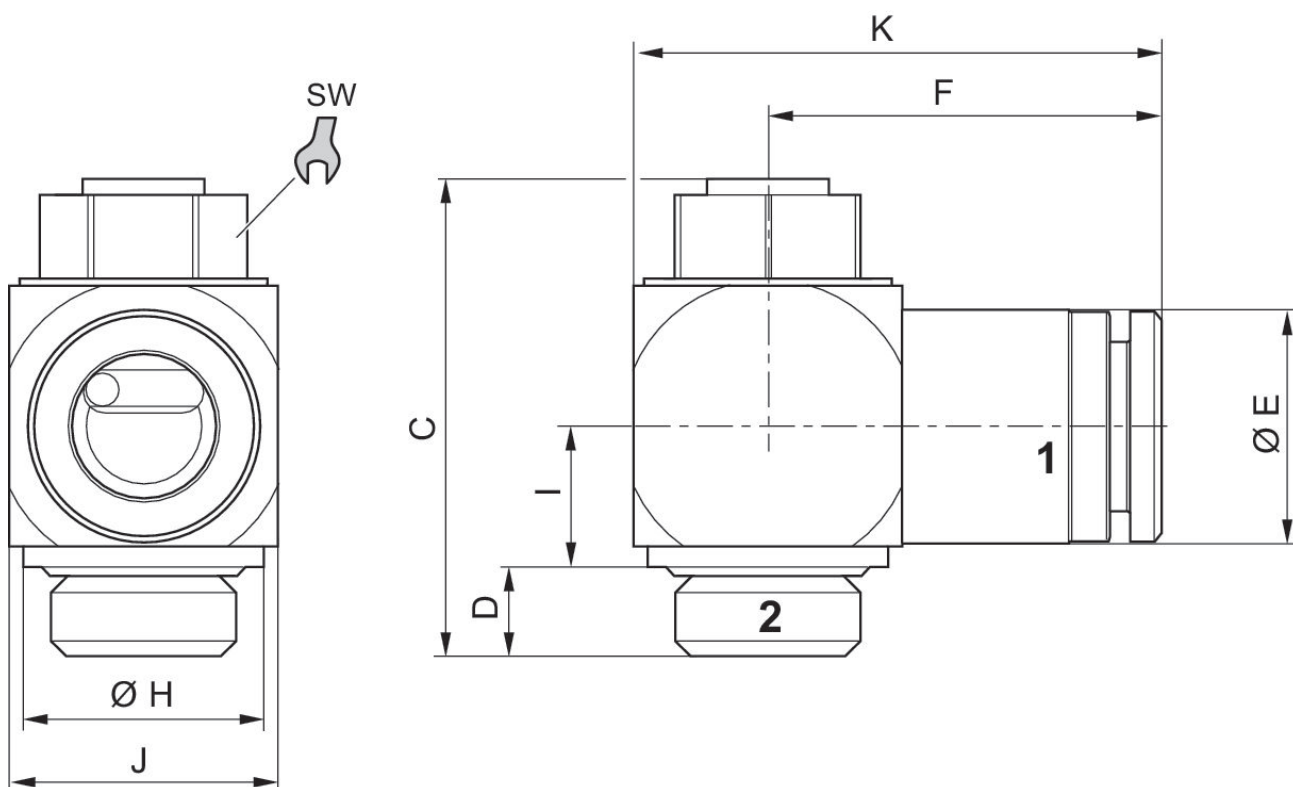
0.5 bar

Working pressure max	10 bar
Min. ambient temperature	-10 °C
Max. ambient temperature	80 °C
Min. medium temperature	-10 °C
Max. medium temperature	80 °C

Material

Housing material	Aluminum, anodized
Material flow control screw	Brass
Seal material	Hydrogenated nitrile butadiene rubber
Part No.	R412026724

Dimensions



Part No.	Port 1	Port 2	C	D	ØE	F	ØH	I	J
R412027120	Ø 4	M5	21.8	3.9	10.45	16.9	8.5	6.3	10.5
R412004995	Ø 6	M5	21.8	3.9	10.45	16.9	8.5	6.3	10.5
0821200242	Ø 6	G 1/8	28.5	5.1	13	23.3	14	8	15
0821200246	Ø 6	G 1/4	33.6	6.2	16	25.8	17	9.8	19
0821200244	Ø 8	G 1/8	28.5	5.1	13.8	24.3	14	8	15

Part No.	Port 1	Port 2	C	D	ØE	F	ØH	I	J
0821200247	Ø 8	G 1/4	33.6	6.2	16	26.2	17	9.8	19
0821200248	Ø 8	G 3/8	41	7.2	16	30.2	22	13.3	24
0821200253	Ø 10	G 1/4	33.6	6.2	16	27.9	17	9.8	19
0821200249	Ø 10	G 3/8	41	7.2	19	30.9	22	13.3	24
R412007432	Ø 12	G 3/8	41	7.2	22	33	22	13.3	24

Part No.	K	SW
R412027120	21.7	7
R412004995	21.7	7
0821200242	30.3	10
0821200246	35.3	13
0821200244	31.2	10
0821200247	35.7	13
0821200248	42.7	16
0821200253	37.4	13
0821200249	43.4	16
R412007432	45.5	16