

Check-choke valve, Series CC02-AL

R412026123

General series information
AVENTICS Series CC02 Check-choke valves

- $Q_n = [[70] \text{ l/min}] \dots [[1950] \text{ l/min}]$



Technical data

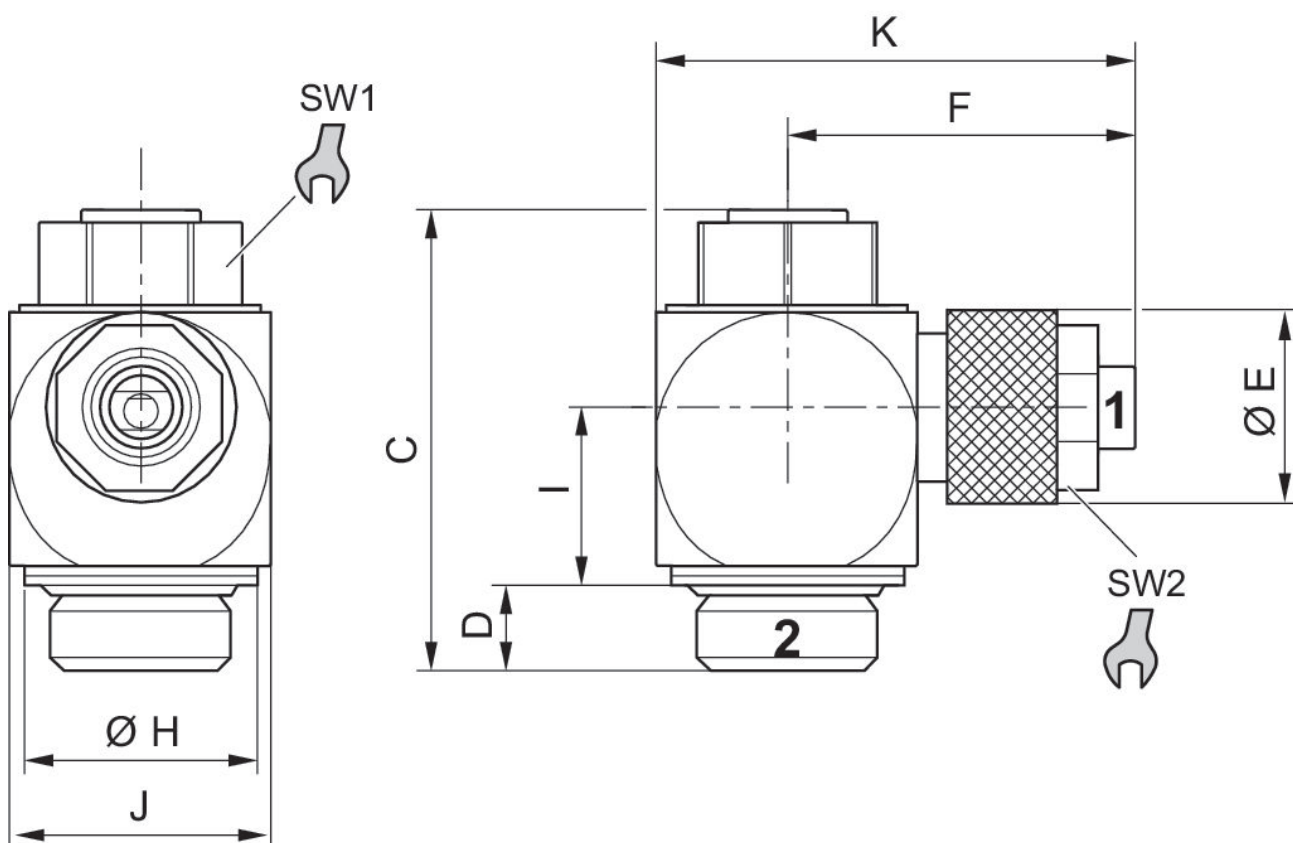
Industry	Industrial
Port 1	Ø 3x1
Port 2	M5
Throttle bore Ø	2 mm
direction of throttle	1 > 2
Nominal flow Q_n 1 to 2	85 l/min
Compressed air connection type 1	plug-in with tube nut
Compressed air connection type 2	External thread
Throttle	Inlet-Side Throttling
Medium	Compressed air
Working pressure min.	0.5 bar
Working pressure max	10 bar
Min. ambient temperature	-10 °C

Max. ambient temperature 70 °C
Min. medium temperature -10 °C
Max. medium temperature 70 °C

Material

Housing material Aluminum, anodized
Material flow control screw Brass
Seal material Acrylonitrile butadiene rubber
Part No. R412026123

Dimensions



Part No.	Port 1	Port 2	C	D	ØE	F	ØH	I	J
0821200118	Ø 3x0,6	M5	21.8	4.1	10	16	8.5	7.4	10
R412026123	Ø 3x1	M5	21.8	4.1	10	16	8.5	7.4	10
R412026122	Ø 4x1	M5	21.8	4.1	10	16	8.5	7.4	10

Part No.	K	SW1	SW2
0821200118	21.5	7	8

Part No.	K	SW1	SW2
R412026123	21.5	7	8
R412026122	22	7	8