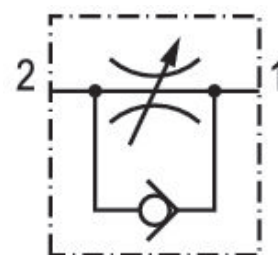


# Check-choke valve, Series CC02-AL

## R412026121

General series information  
AVENTICS Series CC02 Check-choke valves

- $Q_n = [[70] \text{ l/min}] \dots [[1950] \text{ l/min}]$



### Technical data

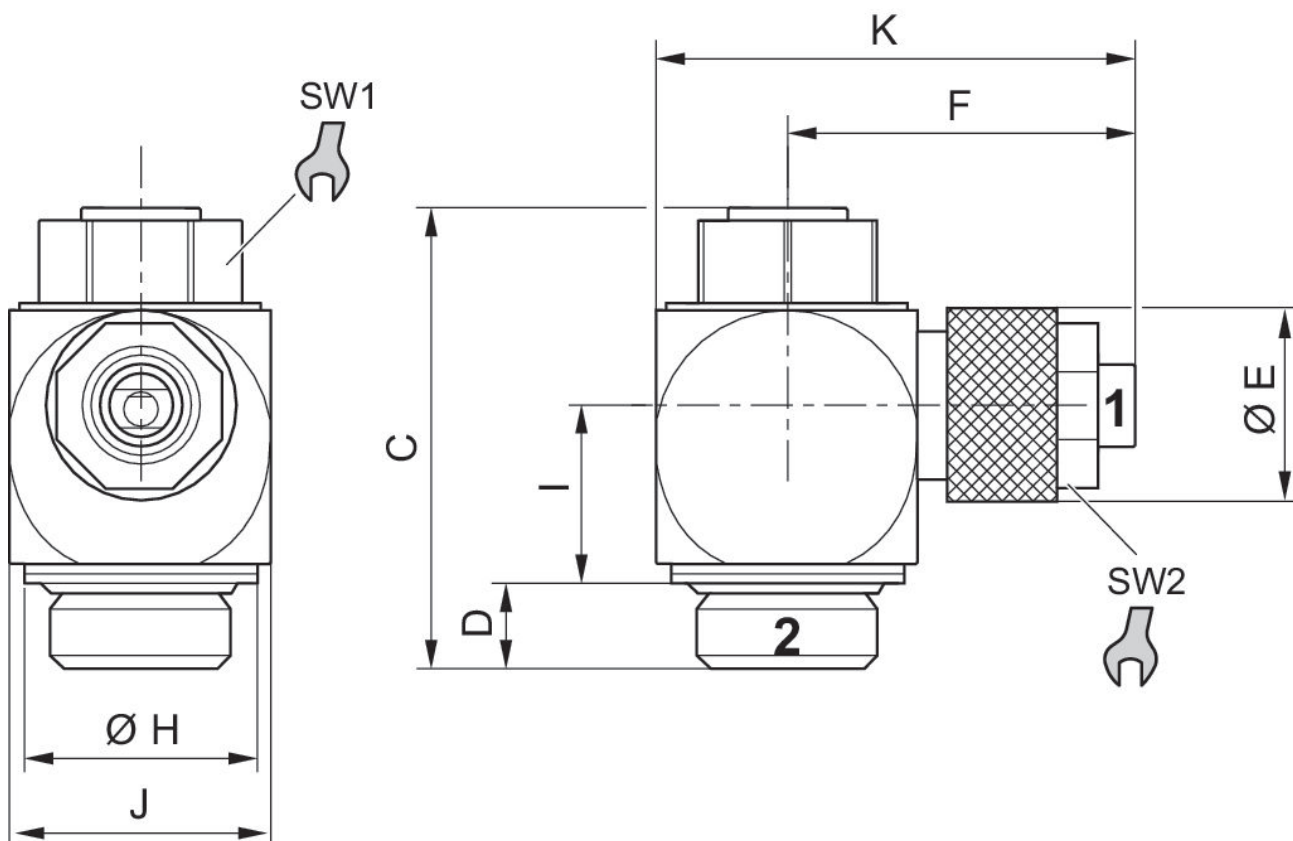
Industry	Industrial
Port 1	Ø 3x1
Port 2	M5
Throttle bore Ø	2 mm
direction of throttle	2 > 1
Nominal flow $Q_n$ 2 to 1	85 l/min
Compressed air connection type 1	plug-in with tube nut
Compressed air connection type 2	External thread
Throttle	Exhaust Air Throttling
Medium	Compressed air
Working pressure min.	0.5 bar
Working pressure max	10 bar
Min. ambient temperature	-10 °C

Max. ambient temperature 70 °C  
 Min. medium temperature -10 °C  
 Max. medium temperature 70 °C

## Material

Housing material Aluminum, anodized  
 Material flow control screw Brass  
 Seal material Acrylonitrile butadiene rubber  
 Part No. R412026121

## Dimensions



Part No.	Port 1	Port 2	C	D	ØE	F	ØH	I	J
0821200117	Ø 3x0,6	M5	21.8	4.1	10	16	8.5	7.4	10
R412026121	Ø 3x1	M5	21.8	4.1	10	16	8.5	7.4	10
R412026120	Ø 4x1	M5	21.8	4.1	10	16	8.5	7.4	10
R412026119	Ø 4x1	G 1/8	28.5	5.5	10	20	14	10.5	15
R412004775	Ø 6x1	G 1/8	28.5	5.5	14	23.8	14	10.5	15
0821200181	Ø 6x1	G 1/4	33.6	6.2	8	24.3	17	13	19

Part No.	Port 1	Port 2	C	D	ØE	F	ØH	I	J
R412004776	Ø 6x1	G 1/4	33.6	6.2	12	25.5	17	13	19
0821200184	Ø 4x1	G 3/8	41	7.2	14	27.6	22	15.2	24
0821200185	Ø 9x1,5	G 3/8	41	7.2	17	28.2	22	16.3	24

Part No.	K	SW1	SW2
0821200117	21.5	7	8
R412026121	21.5	7	8
R412026120	22	7	8
R412026119	28	10	8
R412004775	31.8	10	12
0821200181	31.6	13	8
R412004776	35.1	13	12
0821200184	39.6	16	12
0821200185	40.2	16	15