

Check-choke valve, stainless steel, Series CC02-SL, Inlet-Side Throttling

R412010457

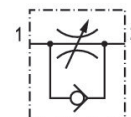
CC02

2024-12-17

- $Q_n = 50 \text{ l/min} \dots 1960 \text{ l/min}$

AVENTICS Series CC02 Check-choke valves

The AVENTICS Series CC check-choke valves are designed for nominal flows from 70 to 1950 l/min. The different versions are available with a push-in fitting or internal thread.



Technical data

Industry	Industrial
Port 2	G 1/4
Throttle bore \varnothing	3.5 mm
direction of throttle	1 > 2
Nominal flow Q_n 1 to 2	600 l/min
Compressed air connection type 2	External thread
Throttle	Inlet-Side Throttling
Medium	Compressed air
Min. working pressure	0.5 bar
Max. working pressure	10 bar
Min. ambient temperature	-20 °C
Max. ambient temperature	150 °C
Min. medium temperature	-20 °C
Max. medium temperature	200 °C
Weight	0.033 kg

Material

Housing material	Stainless Steel
Seal material	Fluorocaoutchouc

Check-choke valve, stainless steel, Series CC02-SL, Inlet-Side Throttling

R412010457

CC02

2024-12-17

Material flow control screw
Part No.

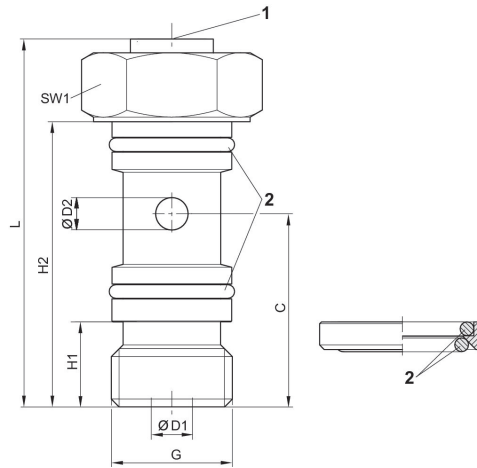
Stainless Steel
R412010457

Technical information

Only applicable in combination with banjo union (see accessories)

Delivery contents: Metal ring and sealing ring are enclosed separately

Dimensions



1) Slot in throttle screw 1 mm

2) Sealing ring

Part No.	G	Ø D1	Ø D2	H1	H2	L 1)	C	SW1
R412010456	G 1/8	3	3	6	25	32	17.5	14
R412010457	G 1/4	3.5	3.5	9.25	31	40	21	17

1) Max.