

# Check-choke valve, Series CC04

## R412007405

Series CC04

■  $Q_n = [[70] \text{ l/min}] \dots [[1950] \text{ l/min}]$



### Technical data

Industry  
Industrial

Port 1  
 $\varnothing 8$

Port 2  
 $\varnothing 8$

Throttle bore  $\varnothing$   
3.5 mm

direction of throttle  
 $1 > 2$

Nominal flow  $Q_n$  1 to 2  
360 l/min

Compressed air connection type 1  
push-in fitting

Compressed air connection type 2  
pin bushing

Throttle  
Inlet-Side Throttling

Medium  
Compressed air

Working pressure min.  
0.5 bar

Working pressure max  
10 bar

Min. ambient temperature  
 $-10\text{ }^{\circ}\text{C}$

Max. ambient temperature  
 $70\text{ }^{\circ}\text{C}$

Min. medium temperature  
 $-10\text{ }^{\circ}\text{C}$

Max. medium temperature  
 $70\text{ }^{\circ}\text{C}$

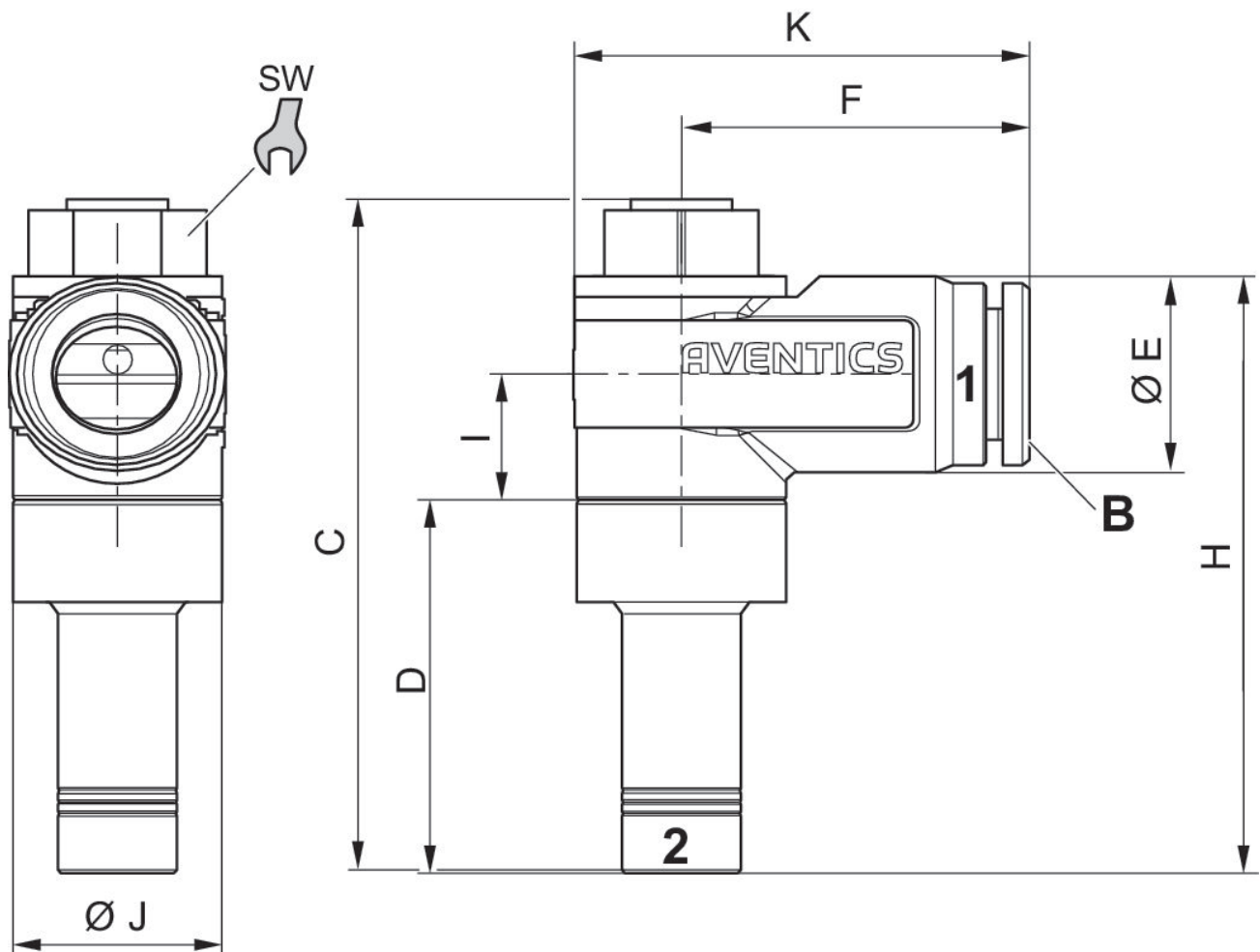
## Material

Housing material  
Polyamide  
Material flow control screw  
Brass

Seal material  
Acrylonitrile butadiene rubber  
Part No.  
R412007405

## Technical information

## Dimensions



Part No.	Port 1	Port 2	C	D	ØE	F	H	I	ØJ
R412007410	Ø 4	Ø 4	41,4	23,5	9	15,9	35,5	7,5	8,7
R412007411	Ø 6	Ø 6	43,9	26	11,1	17,2	39	7,5	8,7
R412007404	Ø 6	Ø 6	51	27,6	15,5	22,4	44,3	9,8	13,6
R412007405	Ø 8	Ø 8	52,9	29,7	13,5	24,2	47,2	9,8	13,6
R412007406	Ø 10	Ø 10	61,3	34,1	18,1	18,1	54,6	11,5	17,6

Part No.	K	SW
R412007410	20,4	7
R412007411	21,8	7
R412007404	29,3	10
R412007405	31,1	10
R412007406	38,1	13