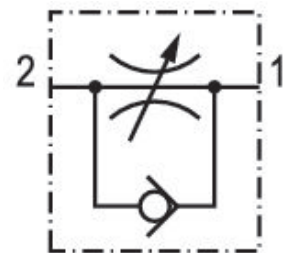


# Check-choke valve, Series CC04

0821200128

Series CC04

■  $Q_n = [[70] \text{ l/min}] \dots [[1950] \text{ l/min}]$



## Technical data

Industry  
Industrial

Port 1  
 $\varnothing 4$

Port 2  
M5

Throttle bore  $\varnothing$   
1.5 mm

direction of throttle  
 $2 > 1$

Nominal flow  $Q_n$  2 to 1  
85 l/min

Compressed air connection type 1  
push-in fitting

Compressed air connection type 2  
External thread

Throttle  
Exhaust Air Throttling

Medium  
Compressed air

Working pressure min.  
0.5 bar

Working pressure max  
10 bar

Min. ambient temperature  
 $-10\text{ }^{\circ}\text{C}$

Max. ambient temperature  
 $70\text{ }^{\circ}\text{C}$

Min. medium temperature  
 $-10\text{ }^{\circ}\text{C}$

Max. medium temperature  
 $70\text{ }^{\circ}\text{C}$

## Material

Housing material  
Polyamide

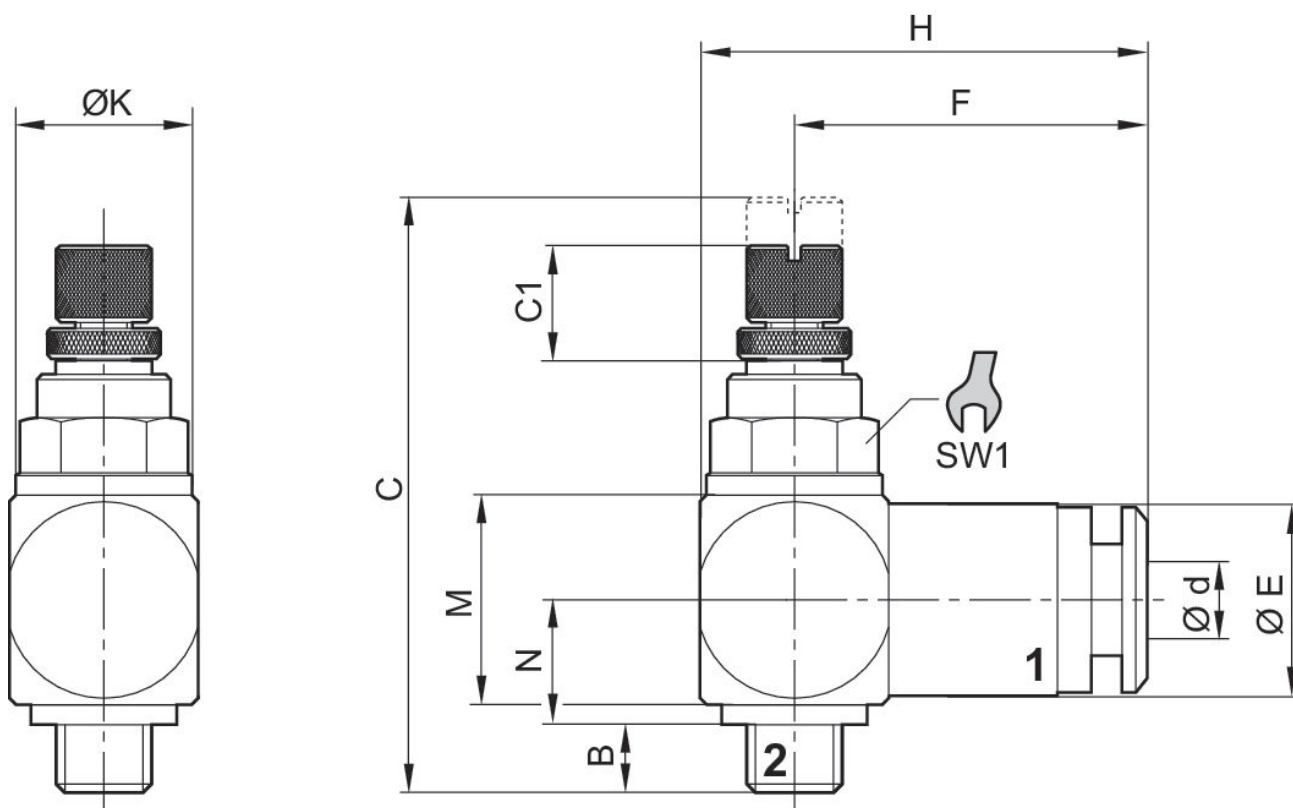
Material flow control screw  
Brass

Seal material  
Acrylonitrile butadiene rubber

Part No.  
0821200128

## Technical information

## Dimensions



Throttle setting via knurled bolt

Part No.	Port 1	Port 2	B	C	C1	$\text{Ød}$	$\text{ØE}$	F	H
0821200128	$\text{Ø} 4$	M5	3.5	30.5	6	4	10	19	24
0821200129	$\text{Ø} 6$	M5	3.5	30.5	6	6	12	20	25

Part No.	K	M	N	SW1
0821200128	10	11	6.5	8
0821200129	10	11	6.5	8