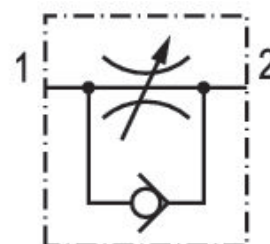


Check-choke valve, Series CC04

0821200234

Series CC04

■ $Q_n = [[70] \text{ l/min}] \dots [[1950] \text{ l/min}]$



Technical data

Industry
Industrial

Port 1
 $\varnothing 6$

Port 2
M5

Throttle bore \varnothing
1.5 mm

direction of throttle
 $1 > 2$

Nominal flow Q_n 1 to 2
85 l/min

Compressed air connection type 1
push-in fitting

Compressed air connection type 2
External thread

Throttle
Inlet-Side Throttling

Medium
Compressed air

Working pressure min.
0.5 bar

Working pressure max
10 bar

Min. ambient temperature
 $-10\text{ }^{\circ}\text{C}$

Max. ambient temperature
 $70\text{ }^{\circ}\text{C}$

Min. medium temperature
 $-10\text{ }^{\circ}\text{C}$

Max. medium temperature
 $70\text{ }^{\circ}\text{C}$

Weight
0.02 kg

Material

Housing material
Polyamide

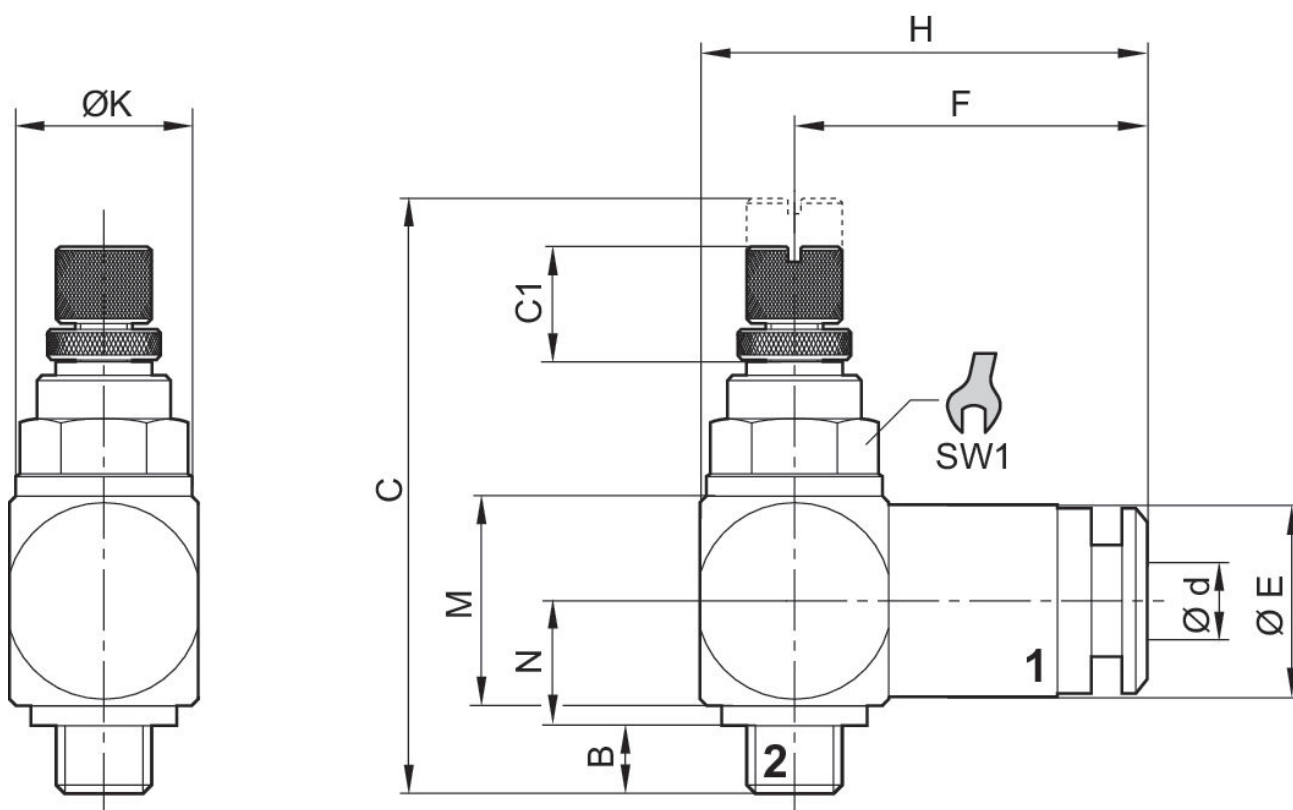
Material flow control screw
Brass

Seal material
Acrylonitrile butadiene rubber

Part No.
0821200234

Technical information

Dimensions



Throttle setting via knurled bolt

Part No.	Port 1	Port 2	B	C	C1	Ød	ØE	F	H
0821200149	Ø 4	M5	3.5	30.5	6	4	10	19	24
0821200234	Ø 6	M5	3.5	30.5	6	6	12	20	25

Part No.	K	M	N	SW1
0821200149	10	11	6.5	8

Part No.	K	M	N	SW1
0821200234	10	11	6.5	8