

Compact cylinder, Series CCI-SC

R452000670

General series information
AVENTICS Serie CCI-SC Stopper Compact
Cylinders

- Pneumatic cylinders with reinforced piston rod, featuring high resistance to shocks and radial loads. Typically used in conveyor belts and other special machinery, to allow stopping loads smoothly and safely, up to 90Kg weight. Mounting holes dimensions are compatible with ISO 21287.



Technical data

| | |
|--|---|
| Industry | Industrial |
| Standards | Based on ISO 21287 |
| Piston Ø | 32 mm |
| Stroke | 25 mm |
| Ports | G 1/8 |
| Functional principle | double-acting with spring return, extended without pressure |
| Cushioning | Elastic cushioning |
| Magnetic piston | Piston with magnet |
| Cylinder special features | Axle pivot version non-rotating |
| Pressure for determining piston forces | 6,3 bar |
| Retracting piston force | 309 N |
| Extracting piston force | 507 N |
| Min. ambient temperature | -20 °C |
| Max. ambient temperature | 80 °C |

| | |
|---|---------------------|
| Working pressure min. | 2 bar |
| Working pressure max | 10 bar |
| Spring force max. | 35 N |
| Max. permissible radial bearing load | 3720 N |
| Max. permissible radial bearing load F during switching operation | 570 N |
| Medium | Compressed air |
| Min. medium temperature | -20 °C |
| Max. medium temperature | 80 °C |
| Max. particle size | 50 µm |
| Oil content of compressed air max. | 5 mg/m ³ |

Material

| | |
|-----------------------|-----------------|
| Piston rod | Stainless Steel |
| Material, front cover | Aluminum |
| Cylinder tube | Aluminum |
| End cover | Aluminum |
| Part No. | R452000670 |

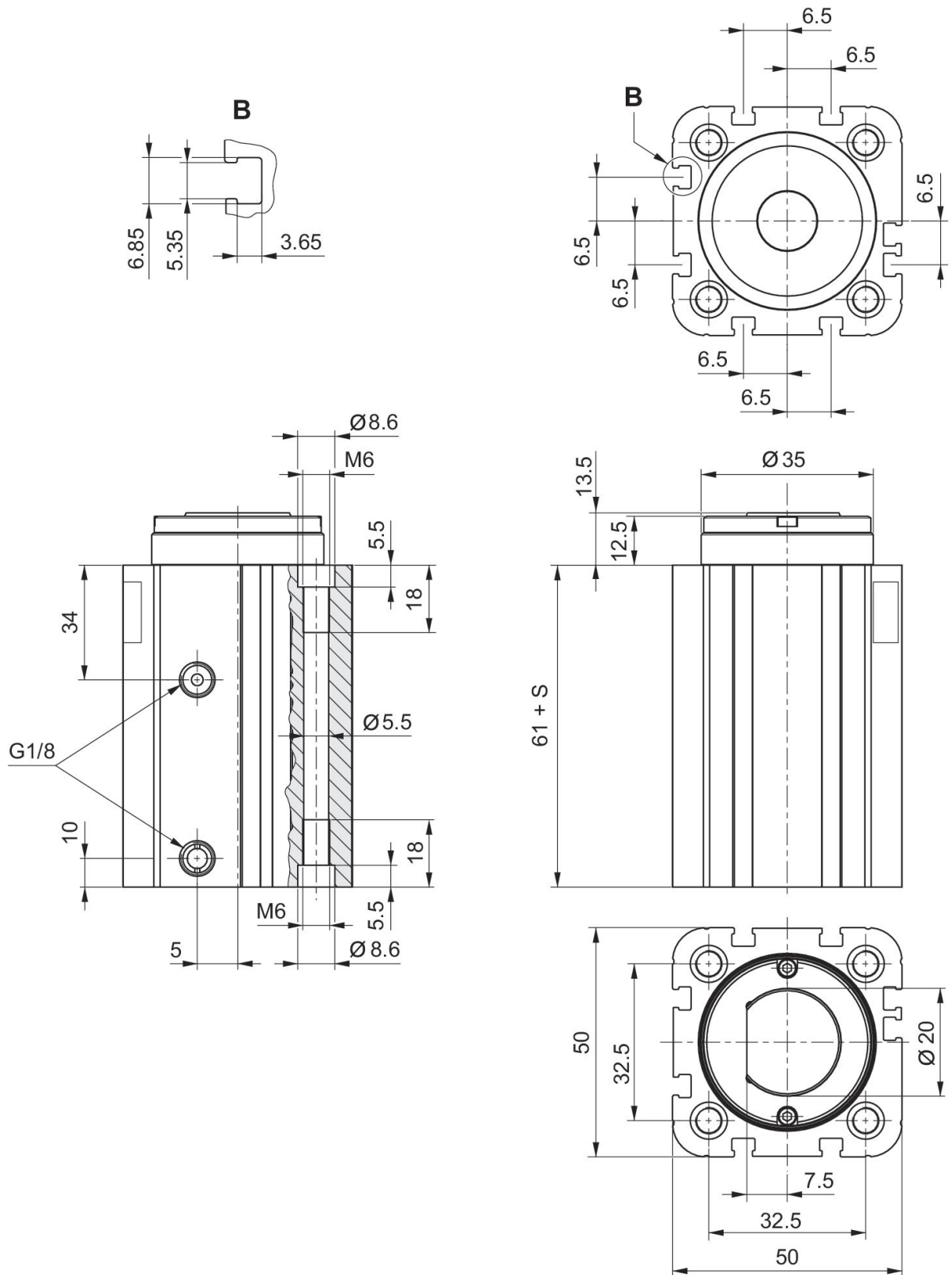
Technical information

The pressure dew point must be at least 15 °C less than ambient and medium temperature and may not exceed 3 °C.

The oil content of compressed air must remain constant during the life cycle.

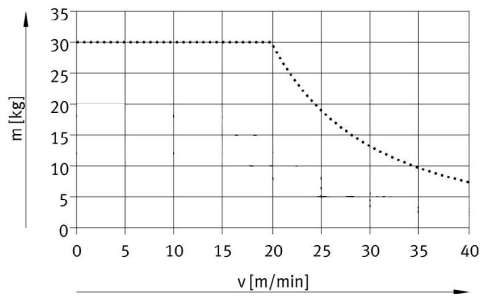
Use only the approved oils from AVENTICS. Further information can be found in the "Technical information" document (available in <https://www.emerson.com/en-us/support>).

Dimensions in mm

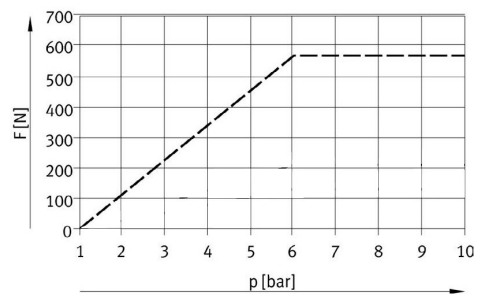


S = stroke

Maximum permissible moving mass
depending on the impact speed
Ø 32 mm
Axle pivot version



Max. permissible radial bearing load F
during switching operation
Ø 32 mm
Axle pivot version



Accessories overview

