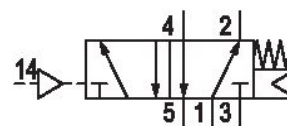


# 5/2-directional valve, Series CD02-AL

0820238103

ISO 15407-1, 18 mm, CD02-AL series

- $Q_n = [250 \dots 450]$  l/min



## Technical data

Industry  
Industrial

Activation  
Pneumatically

Nominal flow  $Q_n$   
450 l/min

Compressed air connection output  
VDMA 02 base plate

Connection type  
Plate connection

Working pressure min.  
2 bar

Working pressure max  
10 bar

Sealing principle  
Soft Seal

Standards  
ISO 15407-1

Valve type  
Spool valve, positive overlapping

Version  
18 mm

Pilot  
External

Can be assembled into blocks  
Can be assembled into blocks

Blocking principle  
Base plate principle, multiple

Control pressure max.  
10 bar

Min. ambient temperature  
0 °C

Max. ambient temperature  
80 °C

Min. medium temperature  
0 °C

Max. medium temperature  
80 °C

Medium  
Compressed air

Max. particle size  
5 µm

Oil content of compressed air min.  
0 mg/m<sup>3</sup>

Oil content of compressed air max.  
5 mg/m<sup>3</sup>

Compressed air connection  
VDMA 02 base plate

Compressed air connection input  
VDMA 02 base plate

Mounting screw  
M3

Weight  
0.08 kg

Housing material  
Aluminum

Surface housing  
anodized

Seal material  
Acrylonitrile butadiene rubber  
Hydrogenated nitrile butadiene rubber

Material, front cover  
Polyamide

Part No.  
0820238103

## Technical information

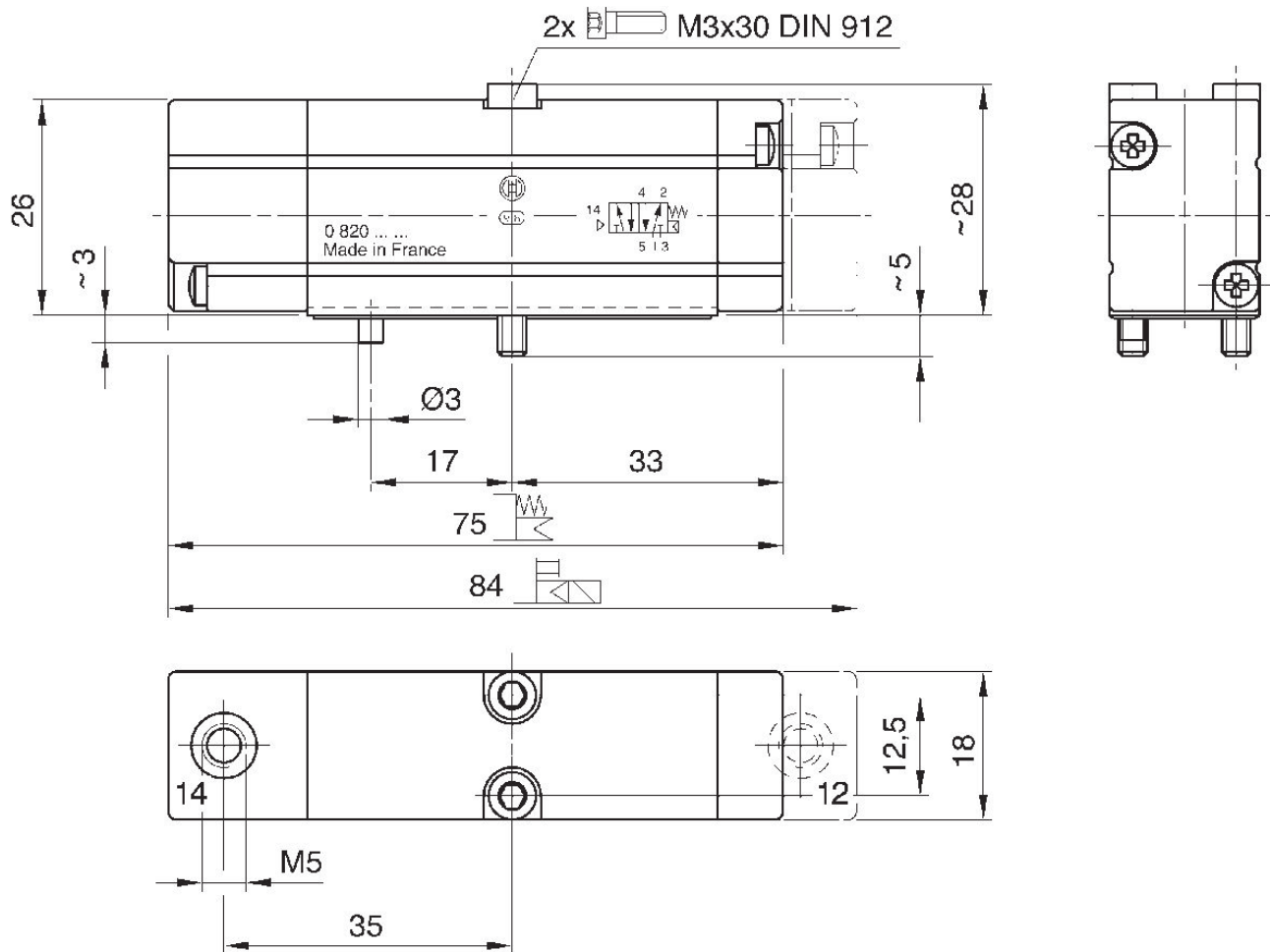
The min. control pressure must be adhered to, since otherwise faulty switching and valve failure may result!

The pressure dew point must be at least 15 °C under ambient and medium temperature and may not exceed 3 °C .

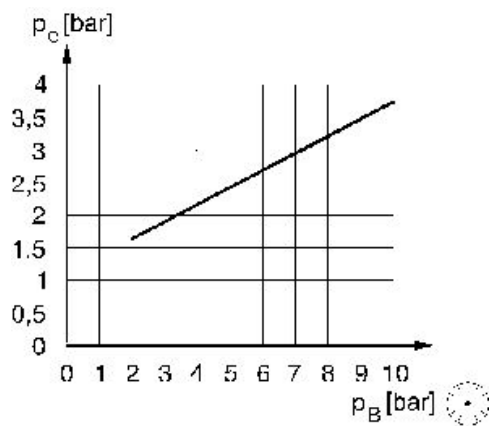
The oil content of compressed air must remain constant during the life cycle.

Use only the approved oils from AVENTICS. Further information can be found in the “Technical information” document (available in <https://www.emerson.com/en-us/support>).

## Dimensions



## Control pressure for spring/air spring return valves



$p_c$  = external control pressure, min.  
 $p_B$  = Working pressure