

3/2-directional valve, Series CD04

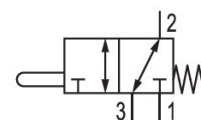
5634000100

Series
CD04

2024-05-28

Series CD04

Qn = 900l/min



Technical data

Industry	Industrial
Activation	Mechanical
Valve type	Spool valve, positive overlapping
Valve function	NC/NO
Actuating control	Single Solenoid
Plate connection	Pipe connection
Actuating element	Plunger
Sealing principle	Soft seal
Compressed air connection type	Internal thread
Compressed air connection input	G 1/8
Compressed air connection output	G 1/8
Compressed air connection, exhaust	G 1/8
Nominal flow Qn	900 l/min
Min. working pressure	-0.95 bar
Max. working pressure	10 bar
Min. actuating force	60 N
Min. ambient temperature	-20 °C
Max. ambient temperature	65 °C
Min. medium temperature	-20 °C
Max. medium temperature	65 °C
Medium	Compressed air
Min. oil content of compressed air	0 mg/m ³
Max. oil content of compressed air	1 mg/m ³

3/2-directional valve, Series CD04

Series
CD04

5634000100

2024-05-28

Max. particle size 50 µm

Weight 0.23 kg

Material

Housing material	Die cast zinc Polyamide fiber-glass reinforced
Seal material	Acrylonitrile butadiene rubber
Material actuating control	Stainless Steel
Part No.	5634000100

Technical information

option valve: The input and output compressed air connections can be exchanged. The valve can thereby be used in the NC or NO operating mode.

The min. control pressure must be adhered to, since otherwise faulty switching and valve failure may result!

The pressure dew point must be at least 15 °C less than ambient and medium temperature and may not exceed 3 °C.

The oil content of compressed air must remain constant during the life cycle.

Use only the approved oils from AVENTICS. Further information can be found in the "Technical information" document (available in <https://www.emerson.com/en-us/support>).

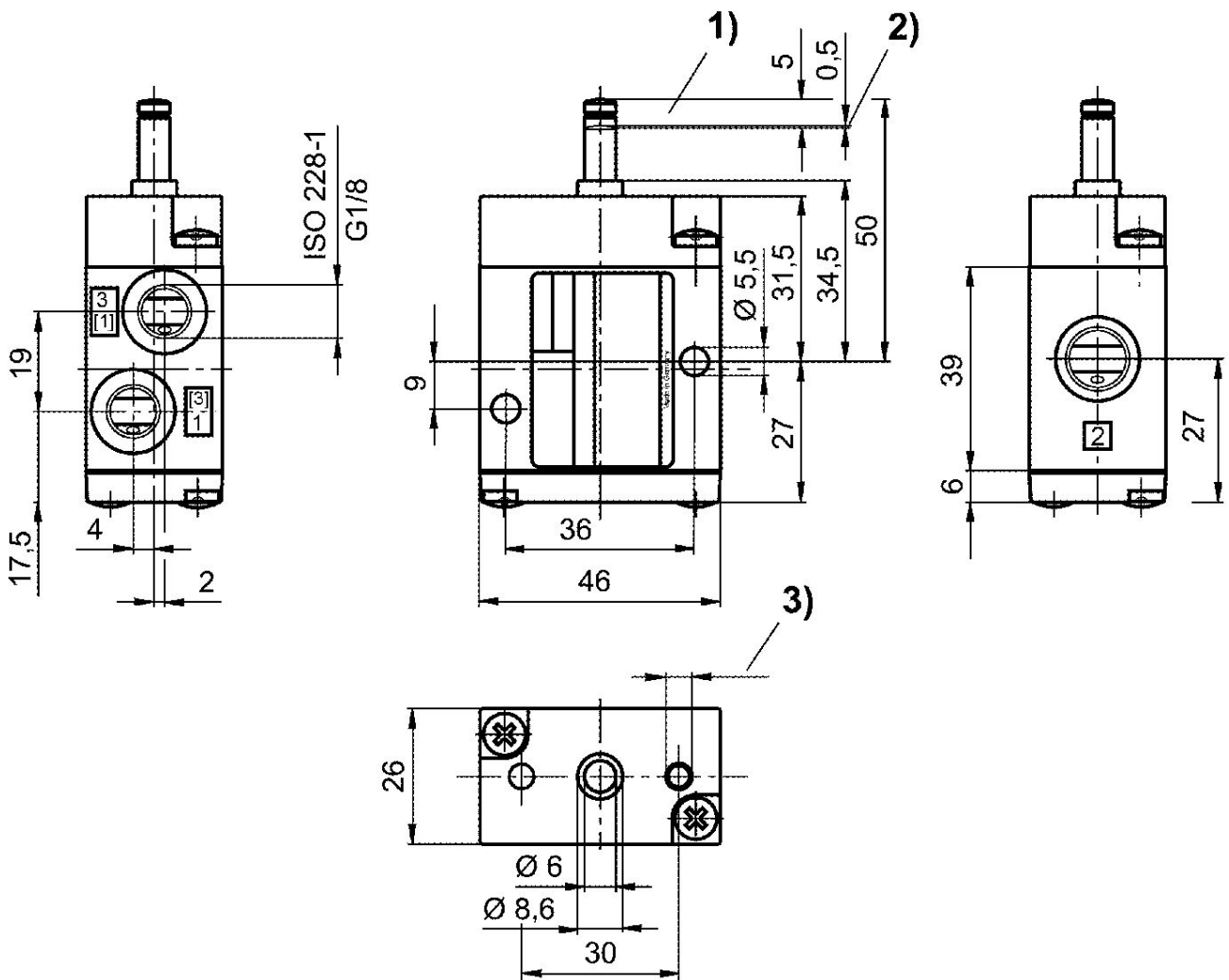
3/2-directional valve, Series CD04

5634000100

Series
CD04

2024-05-28

Dimensions



1) Stroke 2) Overstroke 3) $\varnothing 4.5$ - 12 mm deep