

5/2-directional valve, Series CD04

R412012843

Series
CD04

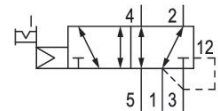
2024-05-27

Series CD04

Qn max. 900 l/min

3/2, 5/2, 5/3 spool valves with metal housing

For demanding environments



Technical data

Industry

Activation

Valve type

Basic valve equipment

Switching principle

Actuating control

Sealing principle

Connection type

Manual override

Industrial

Electrically

Spool valve, positive overlapping

Basic valve without coil

5/2, with air spring return

Single Solenoid

Soft seal

Pipe connection

with detent

Standard compressed air connection

Compressed air connection input

Compressed air connection output

Compressed air connection, exhaust

Compressed air connection pilot exhaust

according to ANSI B1.20.3

1/8-27 PTF

1/8-27 PTF

1/8-27 PTF

M5

Nominal flow Qn

Nominal flow Qn 1 to 2

Nominal flow Qn 2 to 3

900 l/min

900 l/min

900 l/min

5/2-directional valve, Series CD04

R412012843

Series
CD04

2024-05-27

Min. working pressure	3 bar
Max. working pressure	10 bar
Min. control pressure	3 bar
Max. control pressure	10 bar
Electrical connection type	Plug
Electrical connection size	EN 175301-803, form B
Electrical connection number of poles	3-pin
Connector standard	EN 175301-803:2006
Protection class with connection	IP65
Pilot	Internal
Coil width	22 mm
Pilot valve width	26 mm
Compatibility index	14
Duty cycle	100 %
Typ. switch-on time	12 ms
Typ. switch-off time	21 ms
Min. ambient temperature	-15 °C
Max. ambient temperature	50 °C
Min. medium temperature	-15 °C
Max. medium temperature	50 °C
Medium	Compressed air
Min. oil content of compressed air	0 mg/m ³
Max. oil content of compressed air	1 mg/m ³
Max. particle size	50 µm
Mounting on manifold strip	P-strip
Weight	0.33 kg

Material

Housing material	Die cast zinc Polyamide fiber-glass reinforced
Seal material	Acrylonitrile butadiene rubber

Part No. R412012843

Technical information

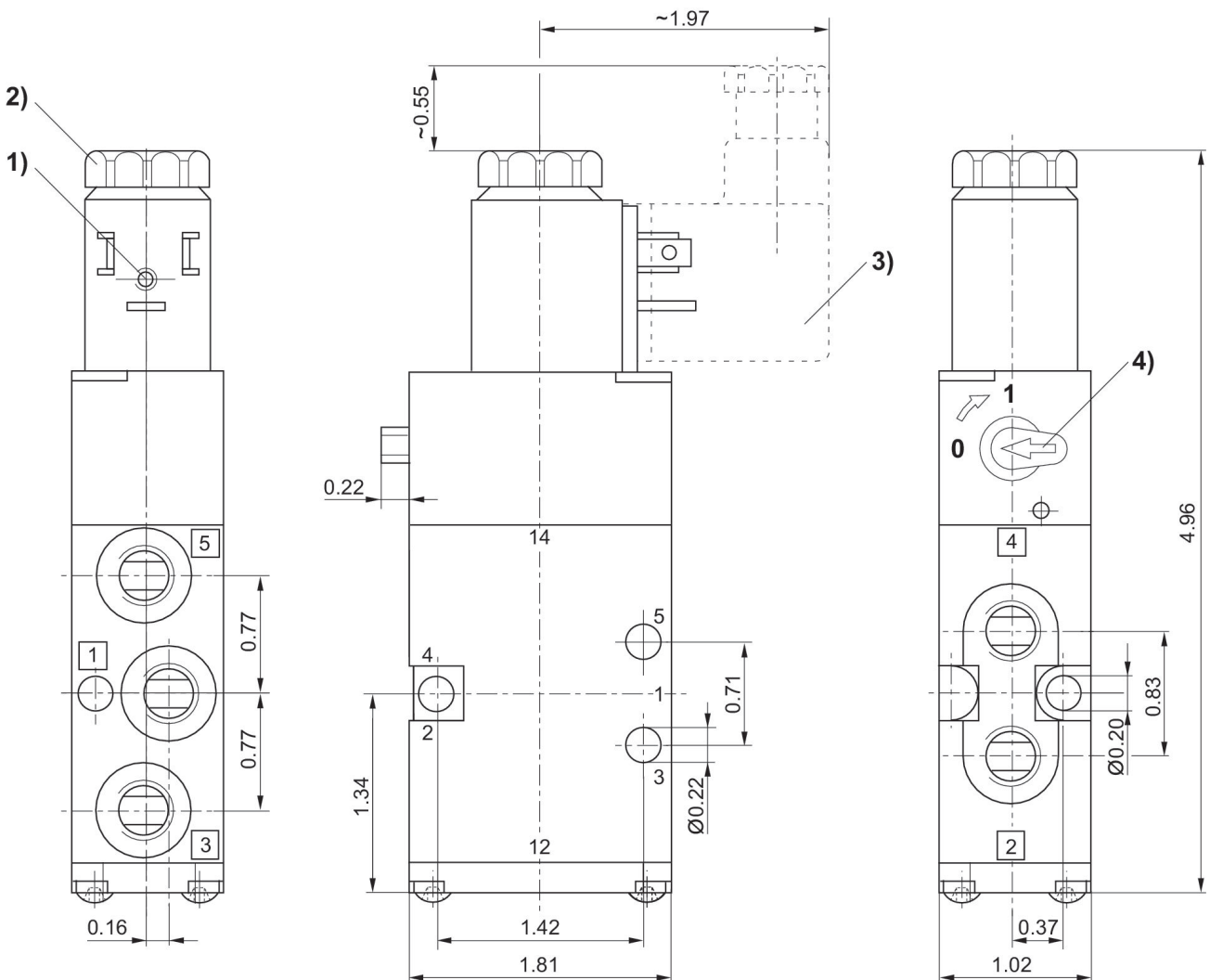
The min. control pressure must be adhered to, since otherwise faulty switching and valve failure may result!

The pressure dew point must be at least 15 °C less than ambient and medium temperature and may not exceed 3 °C.

The oil content of compressed air must remain constant during the life cycle.

Use only the approved oils from AVENTICS. Further information can be found in the "Technical information" document (available in <https://www.emerson.com/en-us/support>).

Dimensions in inches



- 1) Coil can be rotated at 90° intervals
- 2) After removal of cap M5 internal thread
- 3) Valve plug connector can be plugged at 180° intervals
- 4) Manual override