

# 5/2-directional valve, Series CD04

R412012711

Series  
CD04

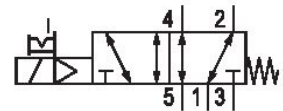
2024-05-27

## Series CD04

Qn max. 900 l/min

3/2, 5/2, 5/3 spool valves with metal housing

For demanding environments



## Technical data

Industry

Industrial

Activation

Electrically

Valve type

Spool valve, positive overlapping

Switching principle

5/2, with spring return

Actuating control

Single Solenoid

Sealing principle

Soft seal

Connection type

Pipe connection

Manual override

with detent

Standard compressed air connection

according to ANSI B1.20.3

Compressed air connection input

1/8-27 PTF

Compressed air connection output

1/8-27 PTF

Compressed air connection, exhaust

1/8-27 PTF

Compressed air connection pilot exhaust

M5

Nominal flow Qn

900 l/min

Nominal flow Qn 1 to 2

900 l/min

Nominal flow Qn 2 to 3

900 l/min

# 5/2-directional valve, Series CD04

R412012711

Series  
CD04

2024-05-27

Min. working pressure	3 bar
Max. working pressure	10 bar
Min. control pressure	3 bar
Max. control pressure	10 bar
Electrical connection type	Plug
Electrical connection size	EN 175301-803, form B
Electrical connection number of poles	3-pin
Connector standard	EN 175301-803:2006
Protection class with connection	IP65
Operational voltage	110 V AC
Operational voltage AC at 50 Hz	110 V
Voltage tolerance AC 50 Hz	-20 % / +10 %
Operational voltage AC at 60 Hz	110 V
Voltage tolerance AC 60 Hz	-10 % / +20 %
Pilot	Internal
Coil width	22 mm
Pilot valve width	26 mm
Compatibility index	14
Holding power AC 50 Hz	8.3 VA
Holding power AC 60 Hz	7.2 VA
Switch-on power AC 50 Hz	10.8 VA
Switch-on power AC 60 Hz	9.5 VA
Duty cycle	100 %
Typ. switch-on time	12 ms
Typ. switch-off time	21 ms
Min. ambient temperature	-15 °C
Max. ambient temperature	50 °C
Min. medium temperature	-15 °C
Max. medium temperature	50 °C
Medium	Compressed air
Min. oil content of compressed air	0 mg/m <sup>3</sup>
Max. oil content of compressed air	1 mg/m <sup>3</sup>
Max. particle size	50 µm
Mounting on manifold strip	P-strip

# 5/2-directional valve, Series CD04

R412012711

Series  
CD04

2024-05-27

---

Weight 0.38 kg

## Material

Housing material Die cast zinc  
Polyamide fiber-glass reinforced  
Seal material Acrylonitrile butadiene rubber

Part No. R412012711

## Technical information

The min. control pressure must be adhered to, since otherwise faulty switching and valve failure may result!

The pressure dew point must be at least 15 °C less than ambient and medium temperature and may not exceed 3 °C.

The oil content of compressed air must remain constant during the life cycle.

Use only the approved oils from AVENTICS. Further information can be found in the "Technical information" document (available in <https://www.emerson.com/en-us/support>).

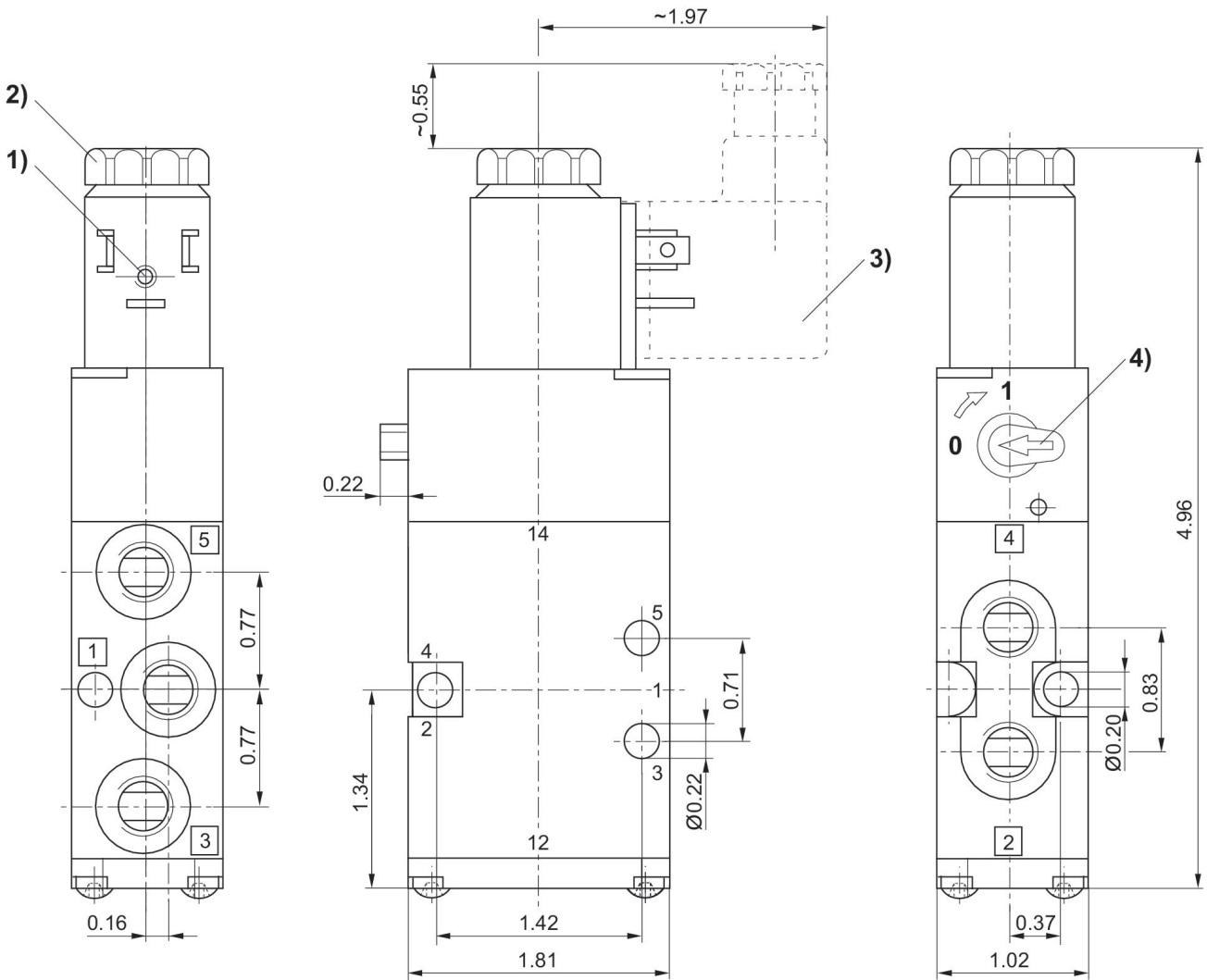
# 5/2-directional valve, Series CD04

R412012711

Series  
CD04

2024-05-27

## Dimensions in inches



- 1) Coil can be rotated at 90° intervals
- 2) After removal of cap M5 internal thread
- 3) Valve plug connector can be plugged at 180° intervals
- 4) Manual override