

5/2-directional valve, Series CD04

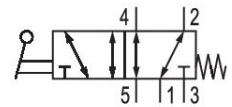
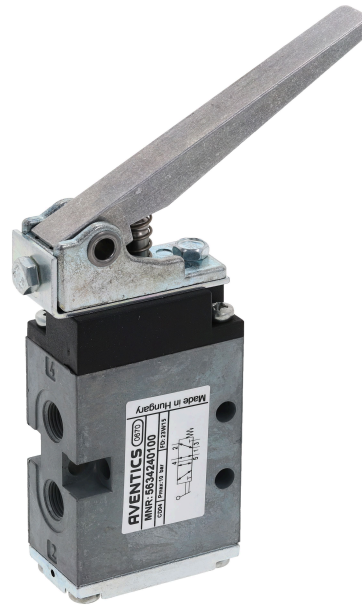
5634240100

Series
CD04

2024-05-28

Series CD04

Qn = 900l/min



Technical data

Industry	Industrial
Activation	Mechanical
Valve type	Spool valve, positive overlapping
Actuating control	Single Solenoid
Plate connection	Pipe connection
Actuating element	Hand lever
Sealing principle	Soft seal
Lock type	not lockable
Compressed air connection type	Internal thread
Compressed air connection input	G 1/8
Compressed air connection output	G 1/8
Compressed air connection, exhaust	G 1/8
Nominal flow Qn	900 l/min
Min. working pressure	-0.95 bar
Max. working pressure	10 bar
Min. actuating force	60 N
Min. ambient temperature	-20 °C
Max. ambient temperature	65 °C

5/2-directional valve, Series CD04

Series
CD04

5634240100

2024-05-28

Min. medium temperature	-20 °C
Max. medium temperature	65 °C
Medium	Compressed air
Min. oil content of compressed air	0 mg/m ³
Max. oil content of compressed air	1 mg/m ³
Max. particle size	50 µm
Weight	0.31 kg

Material

Housing material	Die cast zinc Polyamide fiber-glass reinforced
Seal material	Acrylonitrile butadiene rubber
Material actuating control	Aluminum
Part No.	5634240100

Technical information

The min. control pressure must be adhered to, since otherwise faulty switching and valve failure may result!

The pressure dew point must be at least 15 °C less than ambient and medium temperature and may not exceed 3 °C.

The oil content of compressed air must remain constant during the life cycle.

Use only the approved oils from AVENTICS. Further information can be found in the "Technical information" document (available in <https://www.emerson.com/en-us/support>).

5/2-directional valve, Series CD04

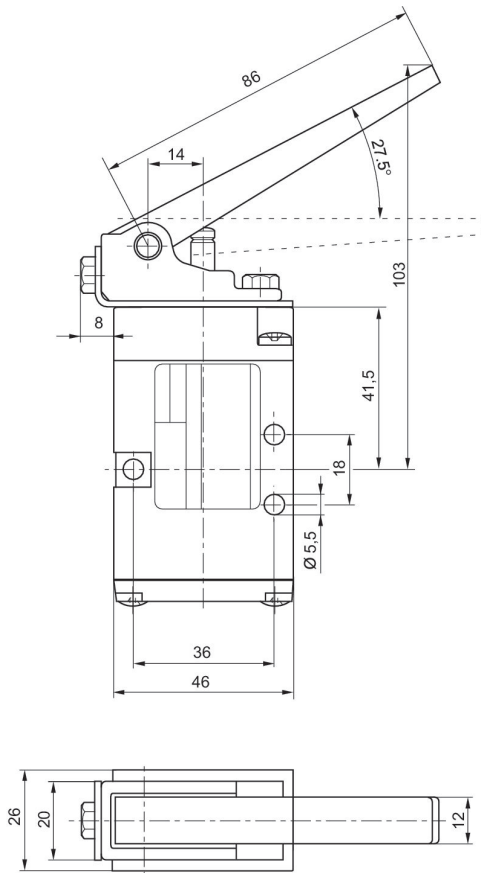
5634240100

Series
CD04

2024-05-28

Dimensions

Fig. 4



Dimensions of basic valve apply to all types of actuation.