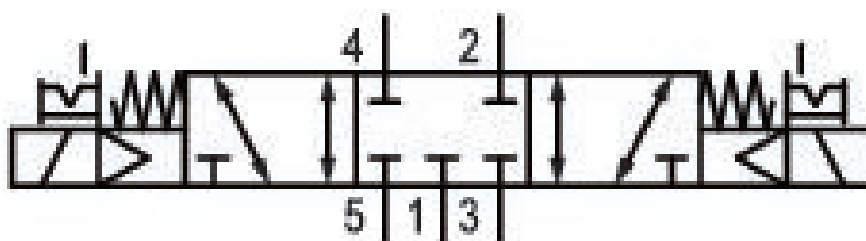


5/3-directional valve, Series CD04

5777420220

General series information
AVENTICS Series CD04 Directional valves

- The AVENTICS Series CD consists of various spool valves with an extremely durable die-cast zinc housing. Its electrical, pneumatic, or mechanical actuating controls (roller, lever, pedal, or plunger) make the Series CD ideal for applications in harsh environments.
- For demanding environments



Technical data

Industry

Activation

Valve type

Switching principle

Valve function

Actuating control

Sealing principle

Connection type

Manual override

Industrial

Electrically

Spool valve, positive overlapping

5/3, closed center

Closed Center

Double Solenoid

soft seal

Pipe connection

with detent

Standard compressed air connection

Compressed air connection input

according to ISO 228-1

G 1/8

Compressed air connection output	G 1/8
Compressed air connection, exhaust	G 1/8
Pilot control exhaust	with directional pilot air exhaust
Compressed air connection pilot exhaust	M5
Nominal flow Qn	900 l/min
Nominal flow Qn 1 to 2	900 l/min
Nominal flow Qn 2 to 3	900 l/min
Working pressure min.	3.5 bar
Working pressure max	10 bar
Control pressure min.	3.5 bar
Control pressure max.	10 bar
Electrical connection type	Plug
Electrical connection size	EN 175301-803, form B
Electrical connection number of poles	3-pin
Connector standard	EN 175301-803:2006
Protection class with connection	IP65
Operational voltage	24 V DC
DC operating voltage	24 V
Voltage tolerance DC	-10% / +10%
Pilot	Internal
Coil width	22 mm
Pilot valve width	26 mm
Compatibility index	14
Power consumption DC	4.8 W
Duty cycle	100 %
Typ. switch-on time	12 ms
Typ. switch-off time	27 ms
Min. ambient temperature	-15 °C
Max. ambient temperature	50 °C
Min. medium temperature	-15 °C
Max. medium temperature	50 °C
Medium	Compressed air
Oil content of compressed air min.	0 mg/m ³
Oil content of compressed air max.	1 mg/m ³

Max. particle size	50 µm
Mounting on manifold strip	P-strip
Weight	0.5 kg

Material

Housing material	Die cast zinc Polyamide fiber-glass reinforced
Seal material	Acrylonitrile butadiene rubber
Part No.	5777420220

Technical information

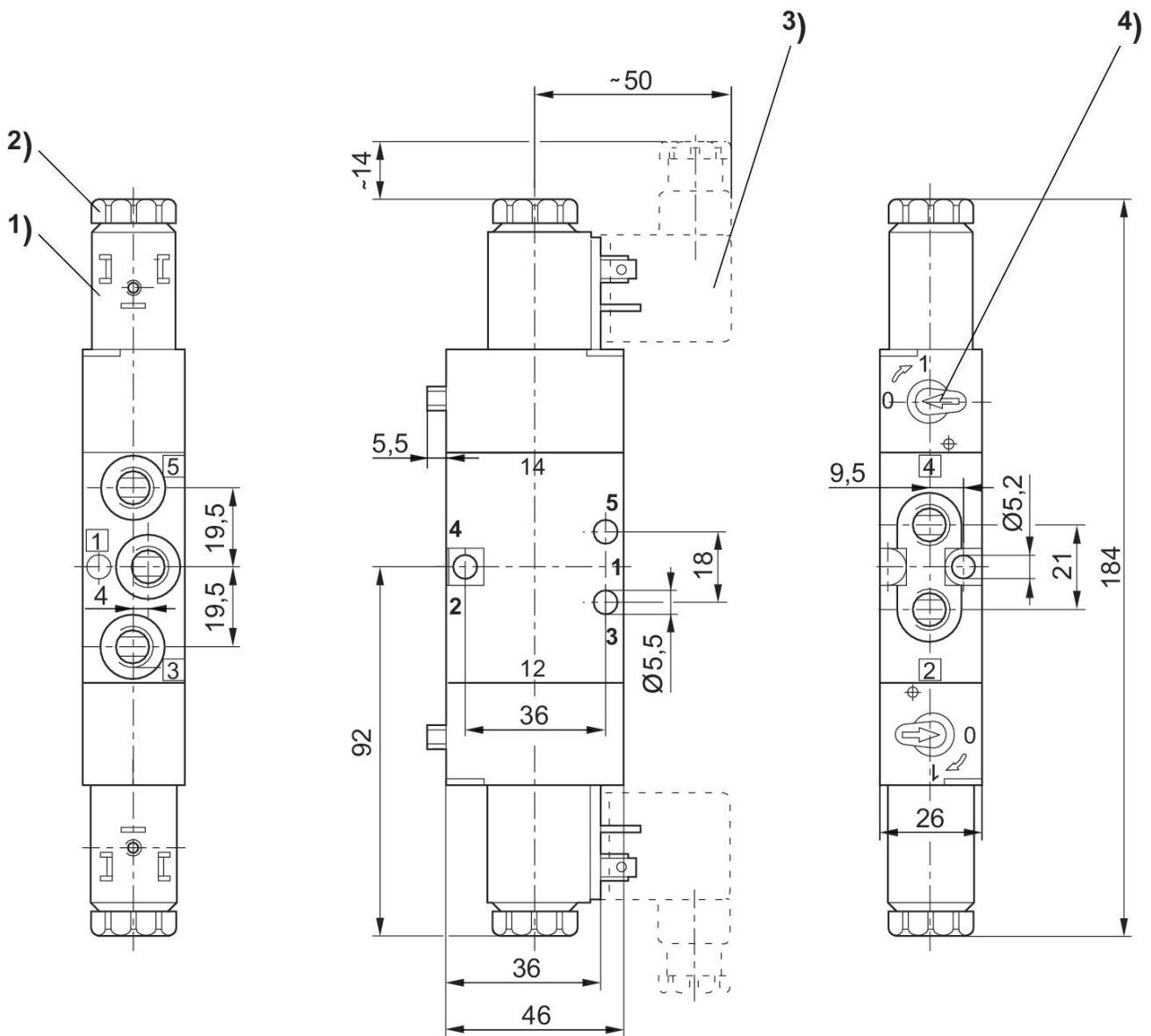
The min. control pressure must be adhered to, since otherwise faulty switching and valve failure may result!

The pressure dew point must be at least 15 °C less than ambient and medium temperature and may not exceed 3 °C.

The oil content of compressed air must remain constant during the life cycle.

Use only the approved oils from AVENTICS. Further information can be found in the “Technical information” document (available in <https://www.emerson.com/en-us/support>).

Dimensions



- 1) Coil can be rotated at 90° intervals
- 2) After removal of cap M5 internal thread
- 3) Valve plug connector can be plugged at 180° intervals
- 4) Manual override