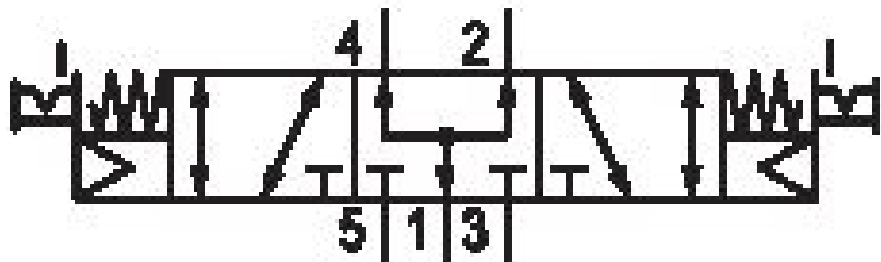


5/3-directional valve, Series CD04

5777405302

General series information
AVENTICS Series CD04 Directional valves

- The AVENTICS Series CD consists of various spool valves with an extremely durable die-cast zinc housing. Its electrical, pneumatic, or mechanical actuating controls (roller, lever, pedal, or plunger) make the Series CD ideal for applications in harsh environments.
- For demanding environments



Technical data

Industry
Activation
Valve type
basic valve with electrical connector
Switching principle
Valve function
Actuating control
Sealing principle
Connection type
Manual override

Industrial
Electrically
Spool valve, positive overlapping
Basic valve without coil
5/3, pressurized center
Pressurized Center
Double Solenoid
soft seal
Pipe connection
with detent

Standard compressed air connection

according to ISO 228-1

Compressed air connection input	G 1/8
Compressed air connection output	G 1/8
Compressed air connection, exhaust	G 1/8
Pilot control exhaust	with directional pilot air exhaust
Compressed air connection pilot exhaust	M5
Nominal flow Qn	900 l/min
Nominal flow Qn 1 to 2	900 l/min
Nominal flow Qn 2 to 3	900 l/min
Working pressure min.	3.5 bar
Working pressure max.	10 bar
Control pressure min.	3.5 bar
Control pressure max.	10 bar
Electrical connection type	Plug
Electrical connection size	EN 175301-803, form B
Electrical connection number of poles	3-pin
Connector standard	EN 175301-803:2006
Protection class with connection	IP65
Pilot	Internal
Coil width	22 mm
Pilot valve width	26 mm
Compatibility index	14
Duty cycle	100 %
Min. ambient temperature	-15 °C
Max. ambient temperature	50 °C
Min. medium temperature	-15 °C
Max. medium temperature	50 °C
Medium	Compressed air
Oil content of compressed air min.	0 mg/m ³
Oil content of compressed air max.	1 mg/m ³
Max. particle size	50 µm
Mounting on manifold strip	P-strip
Weight	0.39 kg

Material

Housing material	Die cast zinc Polyamide fiber-glass reinforced
Seal material	Acrylonitrile butadiene rubber
Part No.	5777405302

Technical information

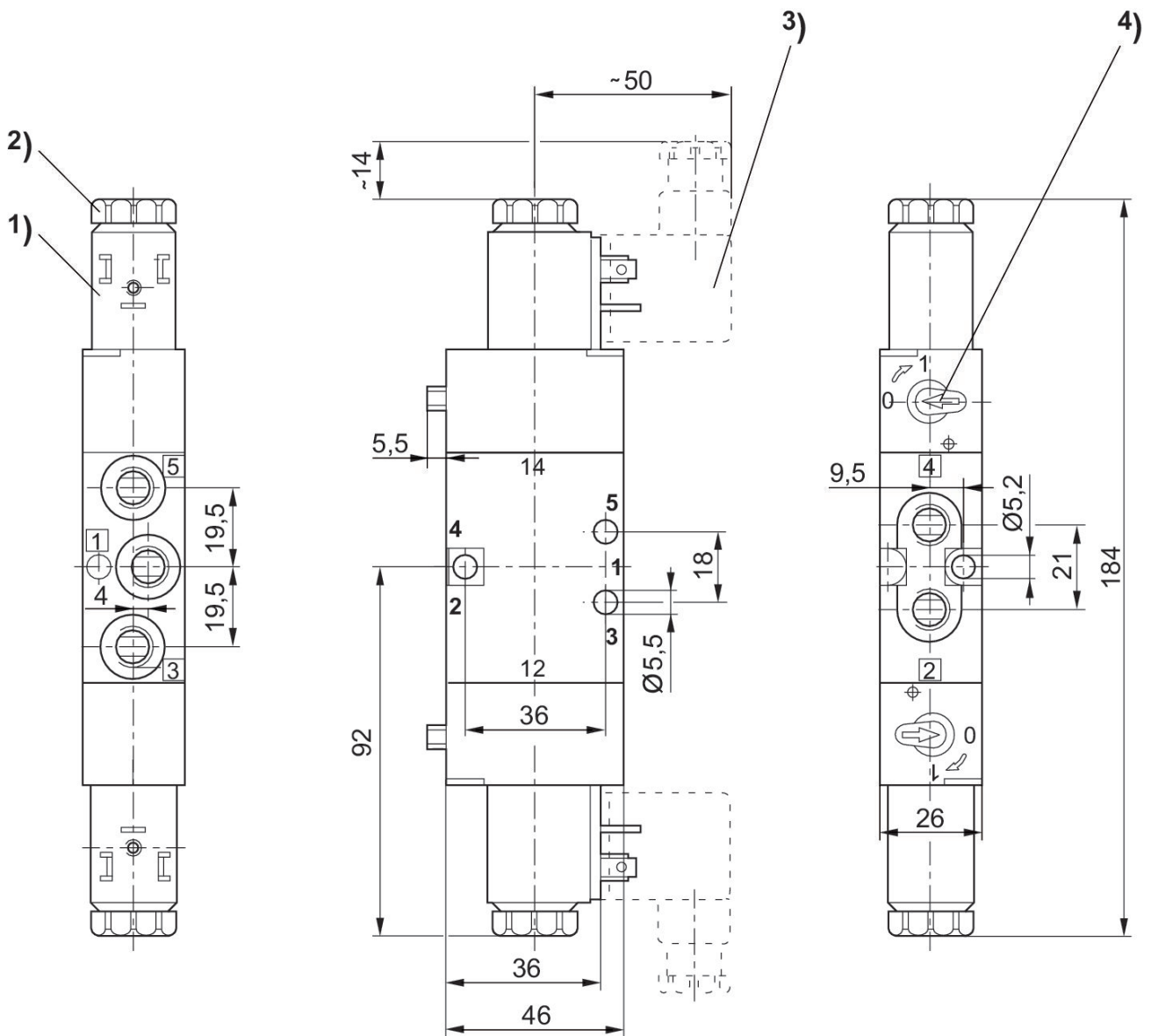
The min. control pressure must be adhered to, since otherwise faulty switching and valve failure may result!

The pressure dew point must be at least 15 °C less than ambient and medium temperature and may not exceed 3 °C.

The oil content of compressed air must remain constant during the life cycle.

Use only the approved oils from AVENTICS. Further information can be found in the "Technical information" document (available in <https://www.emerson.com/en-us/support>).

Dimensions



- 1) Coil can be rotated at 90° intervals
- 2) After removal of cap M5 internal thread
- 3) Valve plug connector can be plugged at 180° intervals
- 4) Manual override