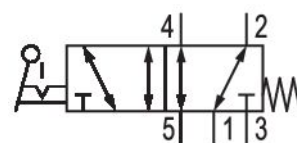


5/2-directional valve, Series CD07

R432016627

Series CD07

- $Q_n = 1200 \dots 1400 \text{ l/min}$



Technical data

Industry	Industrial
Activation	Mechanical
Frame size	CD07 - inch
Valve type	Spool valve, positive overlapping
Switching principle	5/2, with spring return
Actuating control	Single Solenoid
Plate connection	Pipe connection
Actuating element	Rotary lever, with detent
Sealing principle	soft seal
Compressed air connection	1/4 NPT
Compressed air connection type	Internal thread
Compressed air connection input	1/4 NPT
Compressed air connection output	1/4 NPT
Compressed air connection, exhaust	1/4 NPT

Nominal flow Qn	1200 l/min
Nominal flow Qn 1 to 2	1200 l/min
Nominal flow Qn 2 to 3	1200 l/min
Working pressure min.	-0.95 bar
Working pressure max.	10 bar
Control pressure min.	-0.95 bar
Control pressure max.	10 bar
actuating force min.	15 N
ATEX	Suitable for ATEX
Min. ambient temperature	-25 °C
Max. ambient temperature	80 °C
Min. medium temperature	-25 °C
Max. medium temperature	80 °C
Medium	Compressed air
Oil content of compressed air min.	0 mg/m ³
Oil content of compressed air max.	1 mg/m ³
Max. particle size	50 µm
Weight	0.64 kg

Material

Housing material	Die cast zinc Polyamide fiber-glass reinforced
Seal material	Acrylonitrile butadiene rubber
Material actuating control	Polyoxymethylene
Part No.	R432016627

Technical information

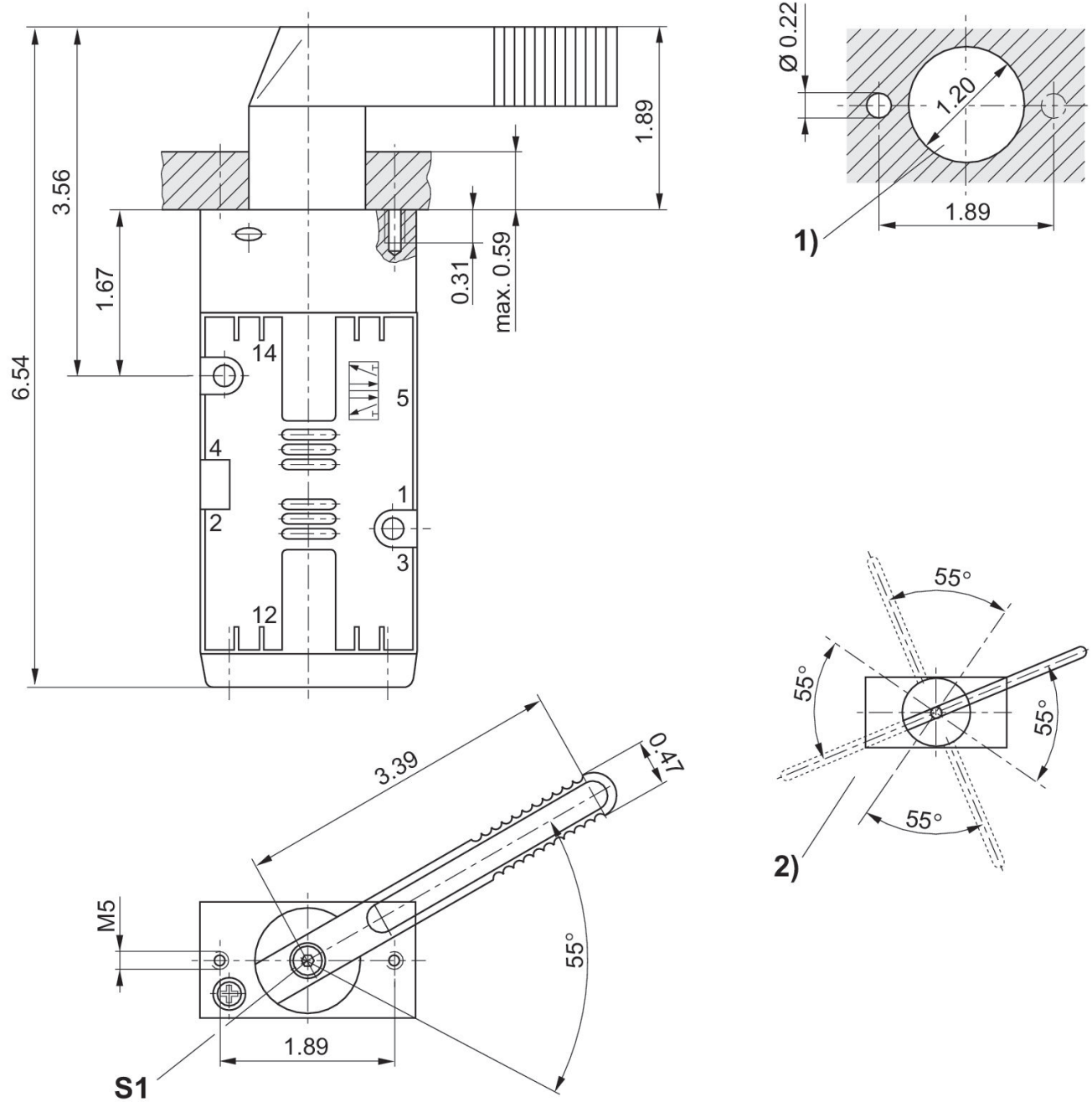
The min. control pressure must be adhered to, since otherwise faulty switching and valve failure may result!

The pressure dew point must be at least 15 °C less than ambient and medium temperature and may not exceed 3 °C.

The oil content of compressed air must remain constant during the life cycle.

Use only the approved oils from AVENTICS. Further information can be found in the "Technical information" document (available in <https://www.emerson.com/en-us/support>).

Dimensions in inches



1) control panel installation (holes in mounting panel) 2) possible lever positions (basic position of hand lever adjustable in 90° steps after loosening screw "S1").