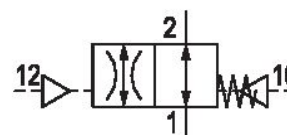


2/2-directional valve, Series CD07

5710409000

AVENTICS Series CD07 Directional valves

- $Q_n = 900 \dots 1400$ l/min



Technical data

Industry

Industrial

Activation

Pneumatically

Frame size

CD07

Valve type

Spool valve, positive overlapping

Switching principle

2/2, with spring return

Valve function

NO

Sealing principle

soft seal

Connection type

Pipe connection

Compressed air connection

M14x1,5

Compressed air connection input

M14x1,5

Compressed air connection output

M14x1,5

Compressed air connection pilot input

M10x1

M16x1

Nominal flow Qn	1400 l/min
Nominal flow Qn 1 to 2	1400 l/min
Working pressure min.	-0.95 bar
Working pressure max.	10 bar
Control pressure min.	2.5 bar
Control pressure max.	10 bar
Certificates	Suitable for ATEX
ATEX	Suitable for ATEX
Min. ambient temperature	-25 °C
Max. ambient temperature	80 °C
Min. medium temperature	-25 °C
Max. medium temperature	80 °C
Medium	Compressed air
Oil content of compressed air min.	0 mg/m ³
Oil content of compressed air max.	1 mg/m ³
Max. particle size	50 µm
Weight	0.4 kg

Material

Housing material	Die cast zinc
Seal material	Acrylonitrile butadiene rubber
Part No.	5710409000

Technical information

Control pressure $P_z - P_y = 2,5 +0,3/-07$ bar

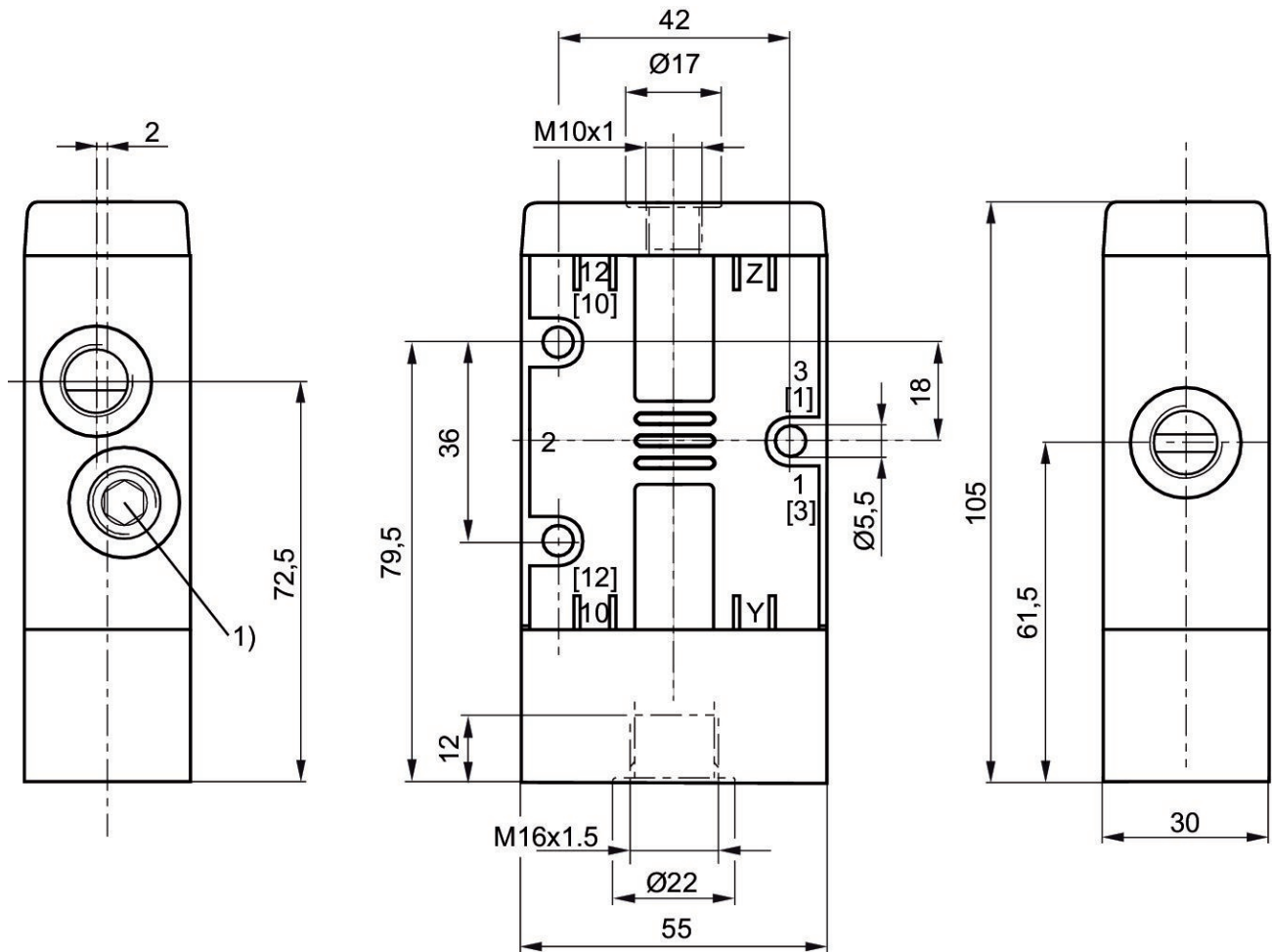
The min. control pressure must be adhered to, since otherwise faulty switching and valve failure may result!

The pressure dew point must be at least 15 °C less than ambient and medium temperature and may not exceed 3 °C.

The oil content of compressed air must remain constant during the life cycle.

Use only the approved oils from AVENTICS. Further information can be found in the "Technical information" document (available in <https://www.emerson.com/en-us/support>).

Dimensions



1) Blanking screw