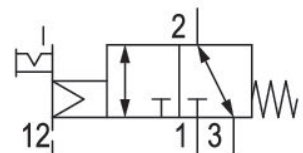


3/2-directional valve, Series CD07

5772035302

General series information
AVENTICS Series CD07 Directional valves

- The AVENTICS Series CD consists of various spool valves with an extremely durable die-cast zinc housing. Its electrical, pneumatic, or mechanical actuating controls (roller, lever, pedal, or plunger) make the Series CD ideal for applications in harsh environments.
- For demanding environments



Technical data

| | |
|-----------------------------------------|------------------------------------|
| Industry | Industrial |
| Activation | Electrically |
| Frame size | CD07 |
| Valve type | Spool valve, positive overlapping |
| basic valve with electrical connector | Basic valve without coil |
| Switching principle | 3/2, with spring return |
| Valve function | NC/NO |
| Actuating control | Single Solenoid |
| Sealing principle | soft seal |
| Connection type | Pipe connection |
| Manual override | with detent |
| Compressed air connection | M14x1,5 |
| Compressed air connection input | M14x1,5 |
| Compressed air connection output | M14x1,5 |
| Compressed air connection, exhaust | M14x1,5 |
| Pilot control exhaust | with directional pilot air exhaust |
| Compressed air connection pilot input | G 1/8 |
| Compressed air connection pilot exhaust | M5 |

| | |
|---------------------------------------|-------------------------------------|
| Nominal flow Qn | 1400 l/min |
| Nominal flow Qn 1 to 2 | 1400 l/min |
| Nominal flow Qn 2 to 3 | 1400 l/min |
| Working pressure min. | -0.95 bar |
| Working pressure max | 10 bar |
| Control pressure min. | 3 bar |
| Control pressure max. | 10 bar |
| Electrical connection type | Plug |
| Electrical connection size | EN 175301-803, form A |
| Electrical connection number of poles | 3-pin |
| Connector standard | EN 175301-803:2006 |
| Reverse polarity protection | Protected against polarity reversal |
| Pilot | External |
| Pilot valve width | 30 mm |
| Compatibility index | 13 14 |
| Duty cycle | 100 % |
| Temperature resistance | -25 °C cold-resistant |
| Certificates | ATEX optional |
| ATEX | ATEX optional |
| Min. ambient temperature | -25 °C |
| Max. ambient temperature | 50 °C |
| Min. medium temperature | -25 °C |
| Max. medium temperature | 50 °C |
| Medium | Compressed air |
| Oil content of compressed air min. | 0 mg/m ³ |
| Oil content of compressed air max. | 1 mg/m ³ |
| Max. particle size | 50 µm |

Material

| | |
|------------------|---------------------------------------------------|
| Housing material | Die cast zinc Polyamide fiber-glass reinforced |
|------------------|---------------------------------------------------|

Seal material
Part No.

Acrylonitrile butadiene rubber
5772035302

Technical information

ATEX optional: ATEX version can be produced by combining the basic valve without coil with an ATEX coil. ATEX ID: see ATEX coils catalog page.

option valve: The input and output compressed air connections can be exchanged. The valve can thereby be used in the NC or NO operating mode.

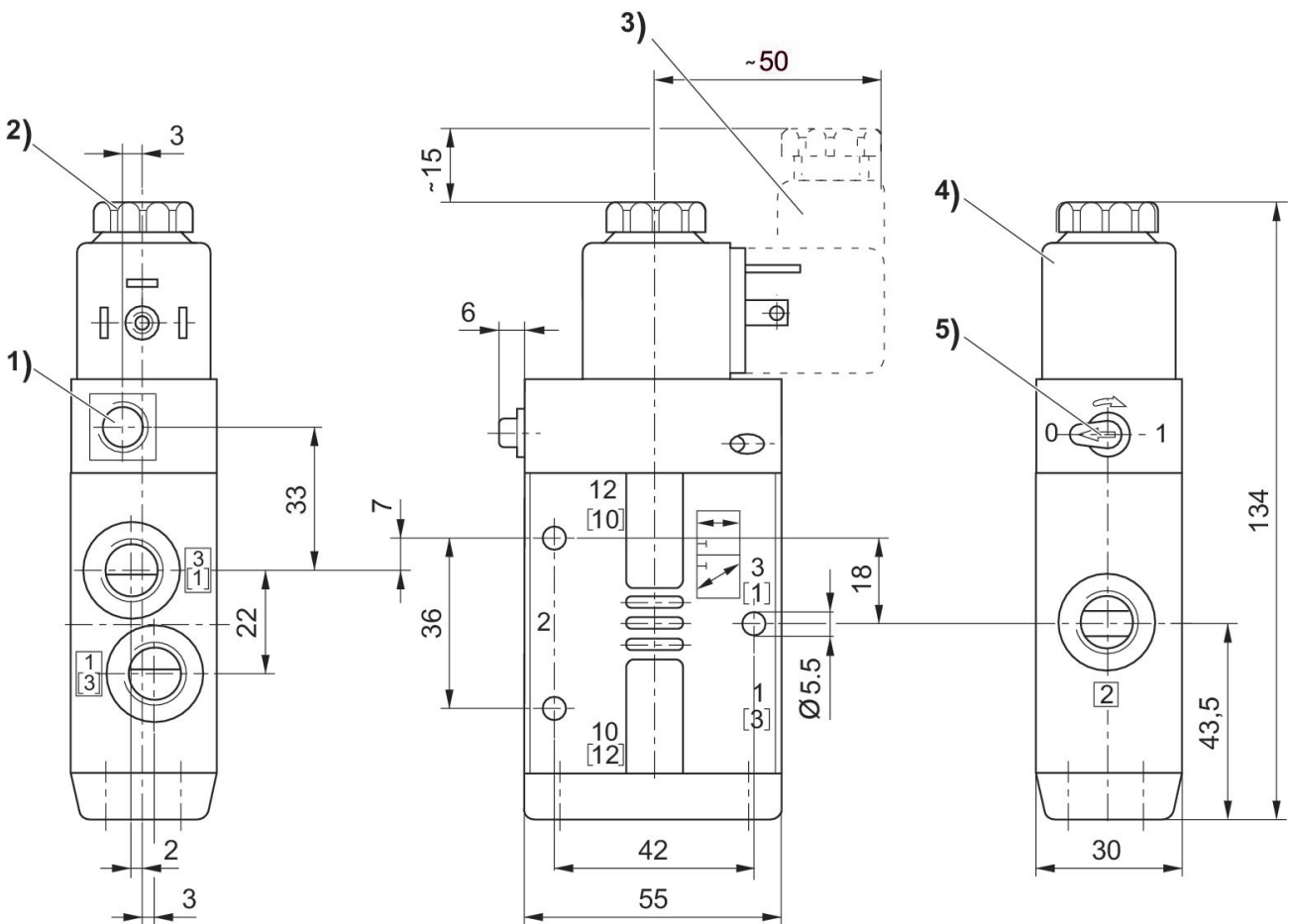
The min. control pressure must be adhered to, since otherwise faulty switching and valve failure may result!

The pressure dew point must be at least 15 °C less than ambient and medium temperature and may not exceed 3 °C.

The oil content of compressed air must remain constant during the life cycle.

Use only the approved oils from AVENTICS. Further information can be found in the "Technical information" document (available in <https://www.emerson.com/en-us/support>).

Dimensions



1) Only with separate pilot control G 1/8 2) After removal of cap M5 internal thread 3) Valve plug connector

4) Coil can be plugged at 45° intervals 5) Manual override